



ENGINEERING EXCELLENCE

Brentwood Series #X-6400014

SPECIFICATION SHEET

DESCRIPTION

- Heavy Brass Showerhead
- 2-1/2" Face
- Side Spray Adjustment
- Brass Ball Swivel Joint

FINISHES

- PC PVD Polished Chrome
- BN PVD Brushed Nickel



#X-6400014 SHOWN

STANDARDS APPLICABLE

- ASME A112.18.1

FLOW

- Showerhead Limited to 2.5 GPM Flow Rate

Model #: _____

Specific Features: _____

Project Name: _____

Submitted For: _____

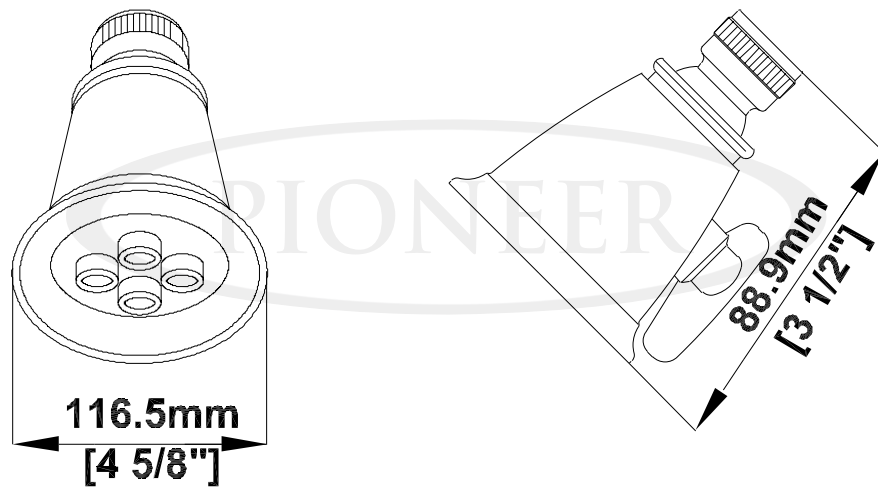
Model	Description	Finishes	
#X-6400014	Heavy Brass Showerhead	<input type="checkbox"/> PC	<input type="checkbox"/> Other__



ENGINEERING EXCELLENCE

Pioneer: 1-800-338-9468
 Commerce, CA 90040
 www.pioneerind.com
 Pioneer Industries, Inc. © 2009

DMSPX-6400014/REV. 12 2009
 Page 1 of 2



Product Diagram



ENGINEERING EXCELLENCE

Pioneer: 1-800-338-9468
Commerce, CA 90040
www.pioneerind.com
Pioneer Industries, Inc. © 2009