



ENGINEERING EXCELLENCE

Del Mar Series #6DM920

SPECIFICATION SHEET

DESCRIPTION

- Handheld Shower Set
- Metal Lever Handle
- Two Way Diverter Valve
- Deck or Ledge Mount
- Single Function Handheld Showerhead
- Anti-Backflow Device
- 60" Stainless Steel Flex Hose

FINISHES

- PC PVD Polished Chrome
- BN PVD Brushed Nickel
- PN PVD Polished Nickel
- ORB Oil Rubbed Bronze
- TB PVD Tuscany Bronze



#6DM920 SHOWN * ADA



STANDARDS APPLICABLE

- ASME A112.18.1
- ANSI A117.1
- ADA COMPLIANT

FLOW

- Showerhead Limited to 2.5 gpm

Model #: _____

Specific Features: _____

Project Name: _____

Submitted For: _____

NOTE :- There is more than 1 Versions of this Product. Page down to identify the version you have.

Model	Description	Finishes	
#6DM920	Handheld Shower Set	<input type="checkbox"/> PC	<input type="checkbox"/> Other__



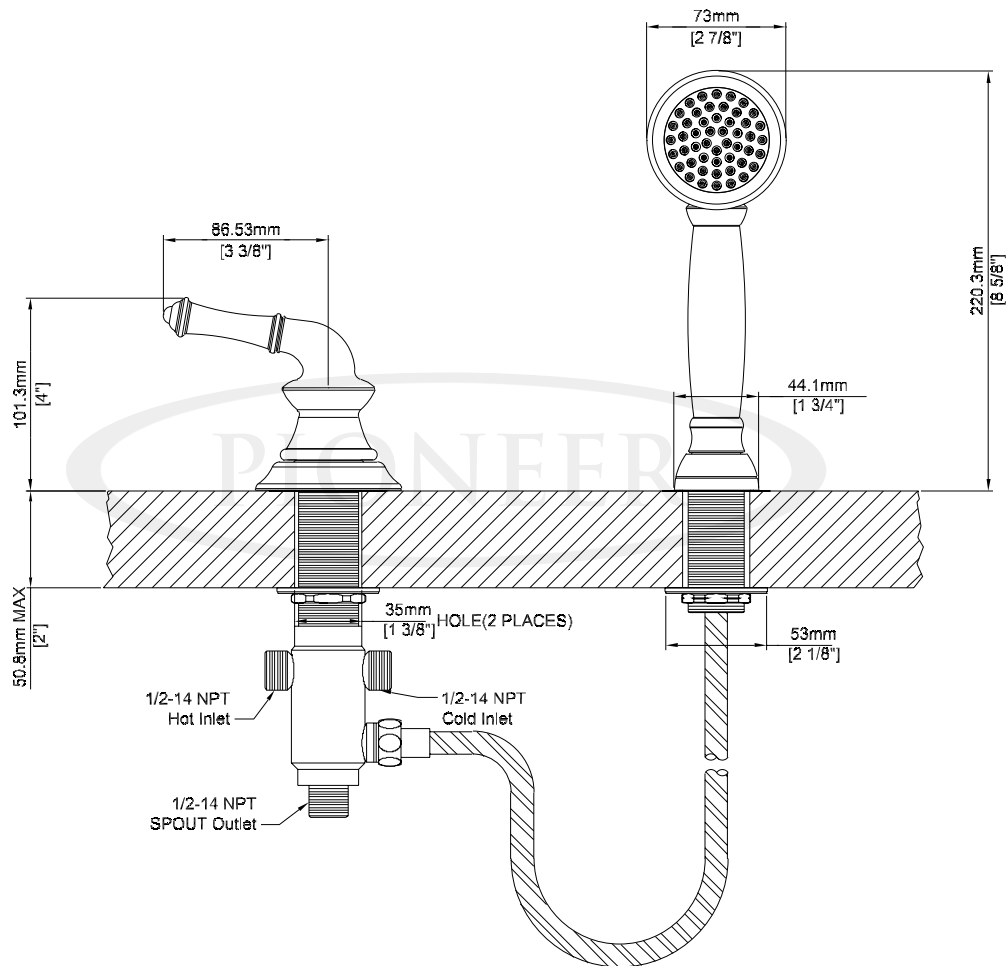
ENGINEERING EXCELLENCE

Pioneer:1-800-338-9468
 Commerce, CA 90040
 www.pioneerind.com
 Pioneer Industries, Inc. © 2013

DMSP6DM920/REV. 12 2012
 Page 1 of 3

Installation Note:

Please refer to Installation Guide For this Product.



Product Diagram

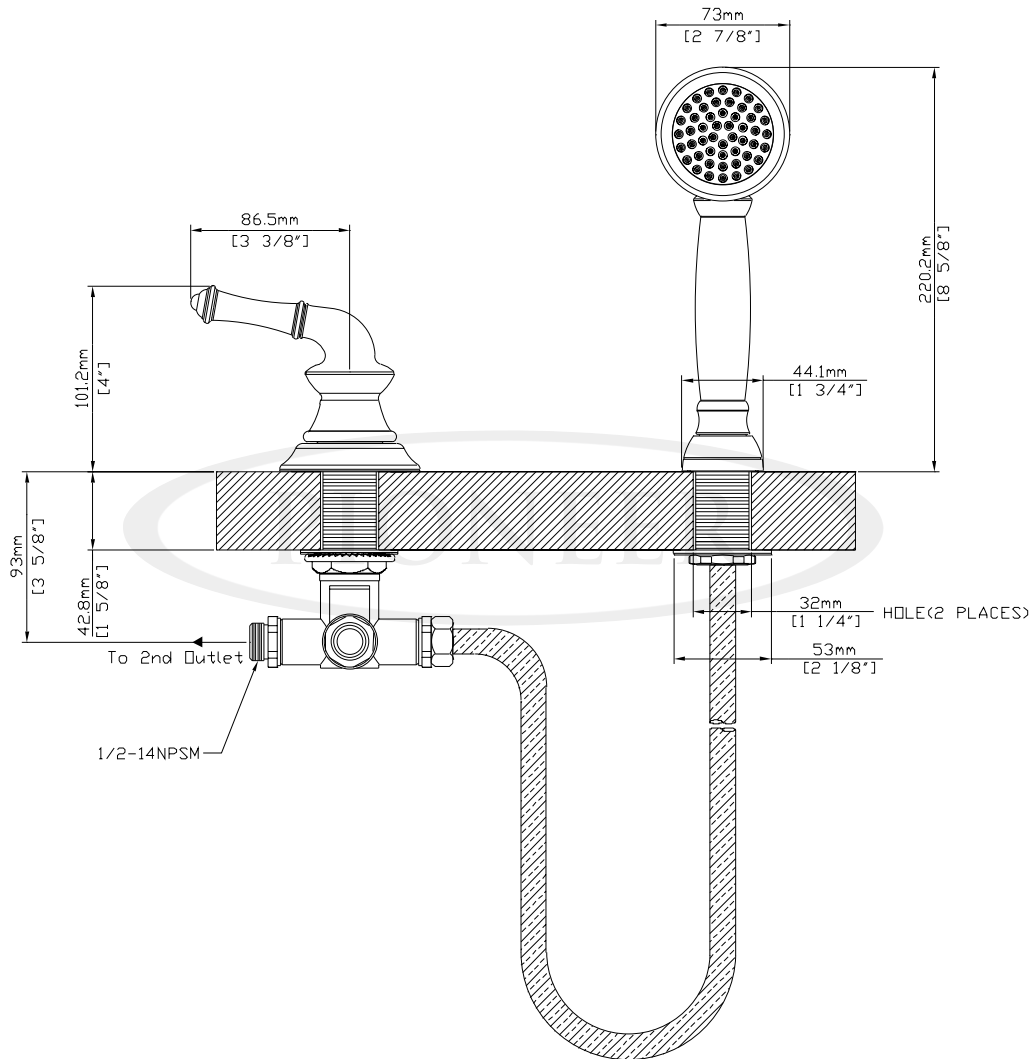


ENGINEERING EXCELLENCE

Pioneer: 1-800-338-9468
 Commerce, CA 90040
 www.pioneerind.com
 Pioneer Industries, Inc. © 2013

Installation Note:

Please refer to Installation Guide For this Product.



Product Diagram



ENGINEERING EXCELLENCE

Pioneer: 1-800-338-9468

Commerce, CA 90040

www.pioneerind.com

Pioneer Industries, Inc. © 2011