



ENGINEERING EXCELLENCE

## Installation Guide

### Handheld Showerset:



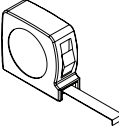

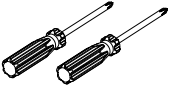
- 6DM400
- 6DM500
- 6AM400
- 6MT400

### This product meets the following standards:

- ASME A112.18.1
- ANSI A117.1

**Thank you for purchasing this pioneer quality product.**

**Tools Required**

				
Level	Teflon Tape	Tape Measure	3/32" Allen Wrench	Straight & Philips Screwdrivers

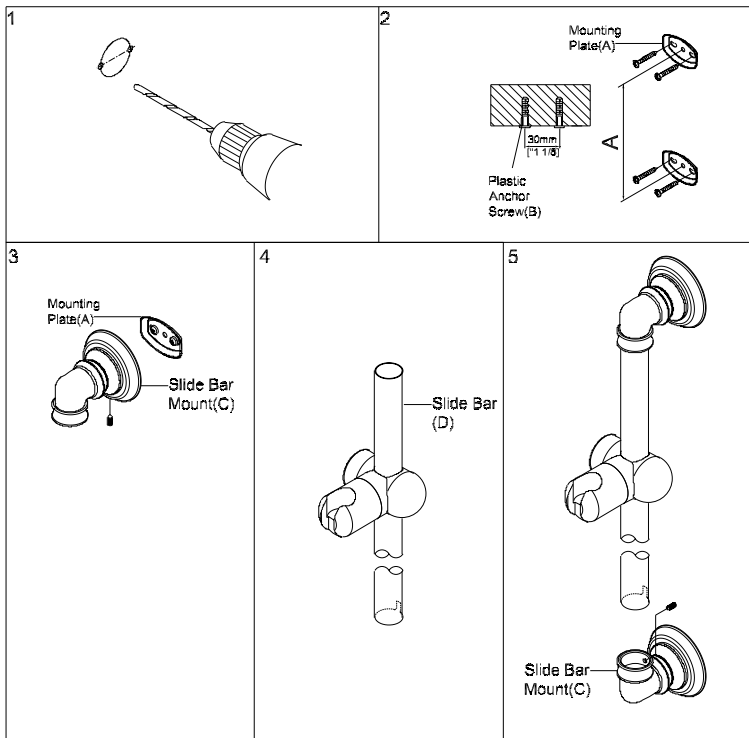
**Prior to Installation**

- Do not use these products in any area where they are likely to be used inadvertently as a grab bar or support bar. These products are not designed or intended for use as a grab bar or support bar.
- Pioneer reserves the right to make changes in the design of Products without notice as specified in the pricebook.

## Handheld Showerset Installation

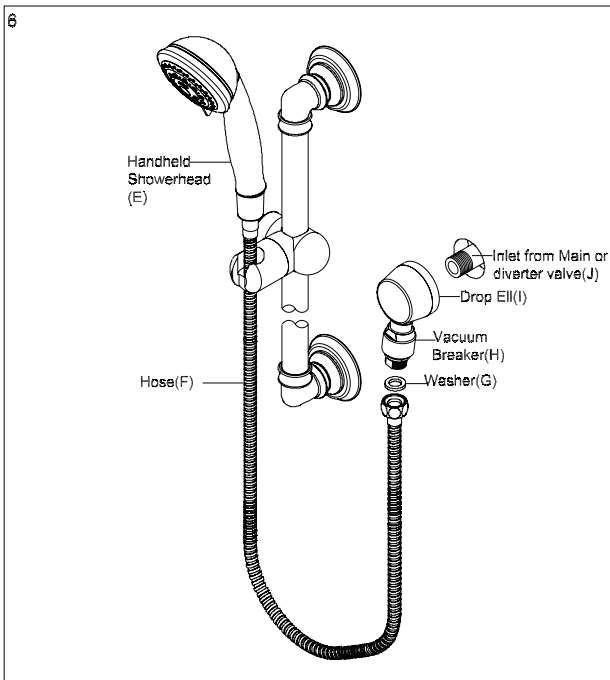
1. Determine the installation location for the handheld slide bar.
2. Drill 1/4" diameter hole as shown in the drawing. (Dimension A For 6DM400,6AM400-25-1/8", For 6MT400-26") Place plastic anchors screws(B) into the drilled holes using hammer to tap it in flush with the wall. Place the mounting plate(A) and secure them on wall with the help of mounting screws.
3. Place the slide bar mount(C) on the mounting plate(A). Tighten the screw on the bottom of the slide bar mount.
5. Place slide bar(D) to the bottom of the slide bar mount(C). Place the bottom slide bar mount(C) on the mounting plate(A). Tighten the screw on the bottom of the slide bar mount(C). Align the notch on the slide bar so it will face toward the back on the bottom of the slide bar mount. Tighten the screw on the bottom slide bar mount(C) with 3/32" size allen wrench.

# Handheld Showerset Installation



## Handheld Showerset Installation

- Apply sealant tape to the inlet from main or diverter valve(J). Install the drop ell(I) to the inlet from main or diverter valve(J). Use silicon to caulk around the drop ell(I) if necessary to create water tight seal. Install vacuum breaker(H) underneath of the drop ell(I). Connect the hose(F) to the vacuum breaker(H). Do not forget to put the washer(G) in the hose(F). The other end of the hose(F) connect it to handheld showerhead(E).
- Turn on the inlet water supply. check for any leaks.



For more care information or trouble shooting inquiries about your Pioneer Product, please see the contact information on the back page.



ENGINEERING EXCELLENCE

3325 S. Garfield Ave. | Commerce, CA 90040  
Telephone: (800) 338-9468 | (323) 888-8873 | Fax: (323) 888-9515  
Hours: M - F, 7:30am to 5:00pm PST  
[www.pioneerind.com](http://www.pioneerind.com)