



## ENGINEERING EXCELLENCE

**Bellaire Series #6BL820**

**PARTS BREAKDOWN SHEET**

### DESCRIPTION

- Handheld Shower Set
- Metal Lever Handle
- Two Way Diverter Valve
- Deck or Ledge Mount
- Five Function Handheld Showerhead
- Anti-Backflow Device
- 60" Stainless Steel Flex Hose

### FINISHES

- PC PVD Polished Chrome
- BN PVD Brushed Nickel
- SS PVD Stainless Steel
- PN PVD Polished Nickel
- PB PVD Polished Brass
- ORB Oil Rubbed Bronze



### STANDARDS APPLICABLE

- ASME A112.18.1
- ANSI A117.1
- CUPC / IAPMO LISTED / ADA COMPLIANT

### FLOW

- Showerhead Limited to 2.5 GPM

#6BL820 SHOWN \* ADA 

Model #: \_\_\_\_\_

Specific Features: \_\_\_\_\_

Project Name: \_\_\_\_\_

Submitted For: \_\_\_\_\_

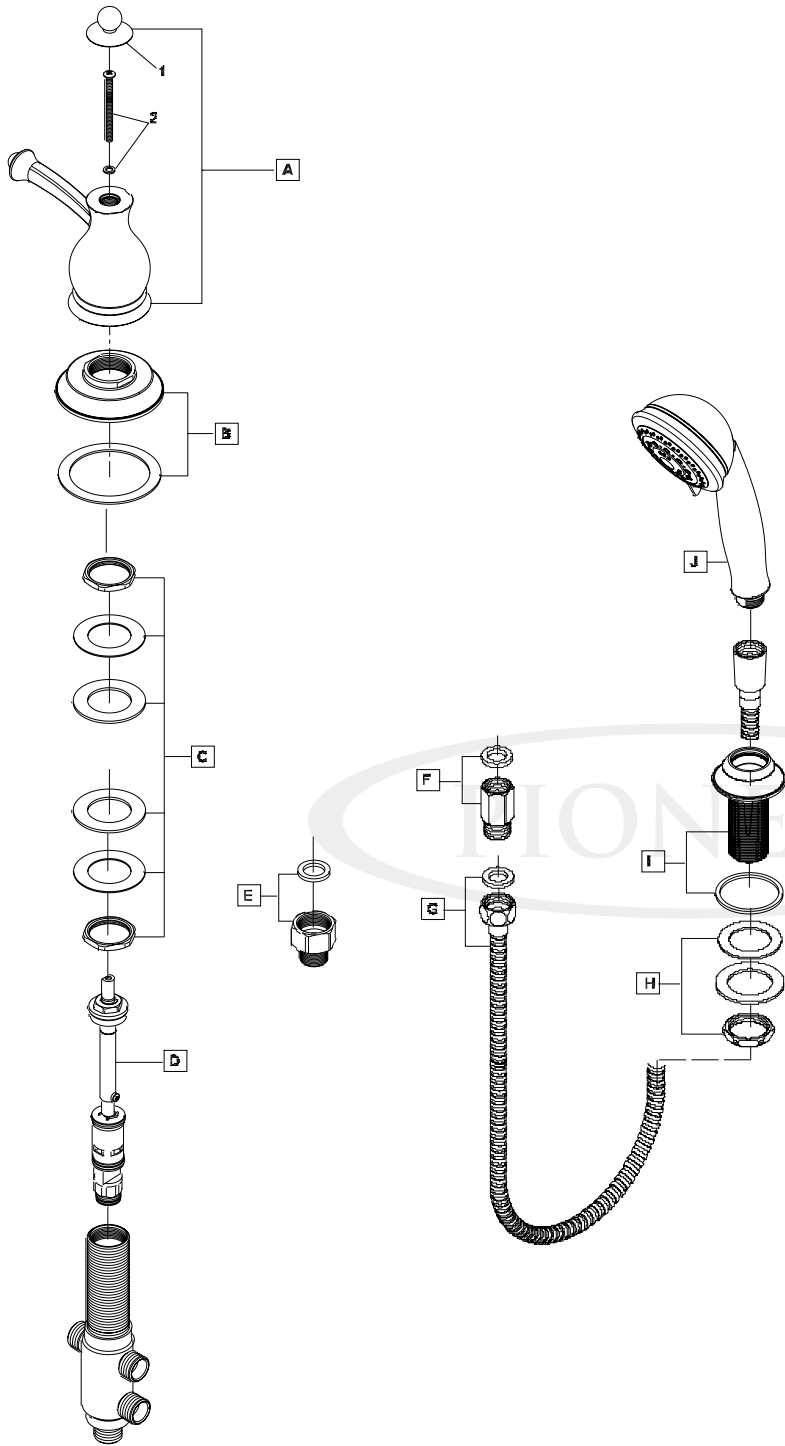
Model	Description	Finishes	
#6BL820	Handheld Shower Set	<input type="checkbox"/> PC	<input type="checkbox"/> Other__



ENGINEERING EXCELLENCE

Pioneer:1-800-338-9468  
 Commerce, CA 90040  
 www.pioneerind.com  
 Pioneer Industries, Inc. © 2013

DMPB6BL820/REV. 12 2012  
 Page 1 of 2



	ITEM#	DESCRIPTION
A	X-1400040*	Metal Lever Handle
B	X-4400093*	Valve Escutcheon
C	X-4600037	Valve Mounting Kit
D	X-3600004	Ceramic Cartridge Assembly
E	X-4600023	Spout Adapter
F	X-4600041	Check Valve
G	X-4600006*	60" Stainless Steel Flex Hose
H	X-5600004	Mounting Kit
I	X-4600056*	Showerhead Holder
J	X-4600007*	Five Function Handheld Shower
1	X-4900110*	Handle Button
2	X-4400094	Handle Screw

\* Note- Please specify finish/color code while ordering.

Product Diagram



ENGINEERING EXCELLENCE

Pioneer: 1-800-338-9468  
 Commerce, CA 90040  
 www.pioneerind.com  
 Pioneer Industries, Inc. © 2013