



ENGINEERING EXCELLENCE

Prenza Series #4PR300TX

SPECIFICATION SHEET

DESCRIPTION

- Single Handle Shower Trim Set
- Metal Lever Handle
- SS Pressure Balancing Spool
- Five Function 4-1/2" Diameter Showerhead
- Shower Arm and Flange

FINISHES

- PC PVD Polished Chrome
- BN PVD Brushed Nickel
- SS PVD Stainless Steel

STANDARDS APPLICABLE

- ASME A112.18.1
- ANSI A117.1
- CUPC / IAPMO LISTED / ADA COMPLIANT

FLOW

- Showerhead Limited to 2.5 GPM



#4PR300TX SHOWN * ADA

Model #: _____

Specific Features: _____

Project Name: _____

Submitted For: _____

Model	Description	Finishes
#4PR300TX	Single Handle Shower Trim Set	<input type="checkbox"/> PC <input type="checkbox"/> Other__
Required Valve		
#4010B	Single Handle Tub and Shower-Valve Set	<input type="checkbox"/> N/A
#4011B	Single Handle Tub and Shower-Valve Set-Less Inlet Stops	<input type="checkbox"/> N/A



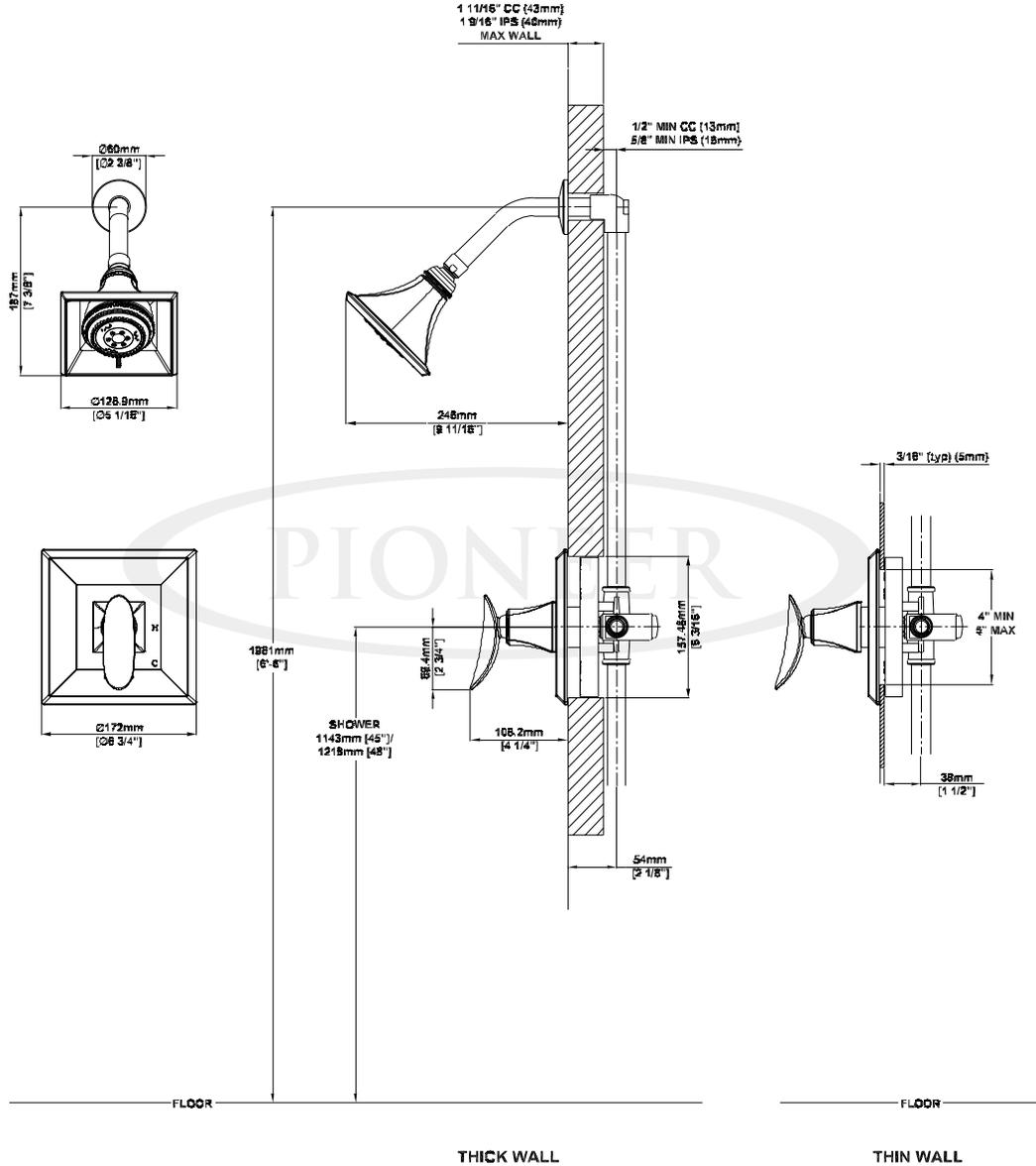
ENGINEERING EXCELLENCE

Pioneer: 1-800-338-9468
 Commerce, CA 90040
 www.pioneerind.com
 Pioneer Industries, Inc. © 2013

DMSP4PR300TX/REV. 12 2012
 Page 1 of 2

Installation Note:

Please refer to Installation Guide For this Product. Also Please refer to Installation Guide For the Rough-in Valve. Avoid Cross Flow Connections. Do not install a Shut off valve to any of the outlets. Cap the tub Port for shower only Installation.



Product Diagram



ENGINEERING EXCELLENCE

Pioneer:1-800-338-9468

Commerce, CA 90040

www.pioneerind.com

Pioneer Industries, Inc. © 2013