



ENGINEERING EXCELLENCE

Prenza Series #4PR300TX

PARTS BREAKDOWN SHEET

DESCRIPTION

- Single Handle Shower Trim Set
- Metal Lever Handle
- SS Pressure Balancing Spool
- Five Function 4-1/2" Diameter Showerhead
- Shower Arm and Flange

FINISHES

- PC PVD Polished Chrome
- BN PVD Brushed Nickel
- SS PVD Stainless Steel



STANDARDS APPLICABLE

- ASME A112.18.1
- ANSI A117.1
- CUPC / IAPMO LISTED / ADA COMPLIANT

FLOW

- Showerhead Limited to 2.5 GPM

#4PR300TX SHOWN * ADA 

Model #: _____

Specific Features: _____

Project Name: _____

Submitted For: _____

| Model | Description | Finishes |
|----------------|---|--|
| #4PR300TX | Single Handle Shower Trim Set | <input type="checkbox"/> PC <input type="checkbox"/> Other__ |
| Required Valve | | |
| #4010B | Single Handle Tub and Shower-Valve Set | <input type="checkbox"/> N/A |
| #4011B | Single Handle Tub and Shower-Valve Set-Less Inlet Stops | <input type="checkbox"/> N/A |



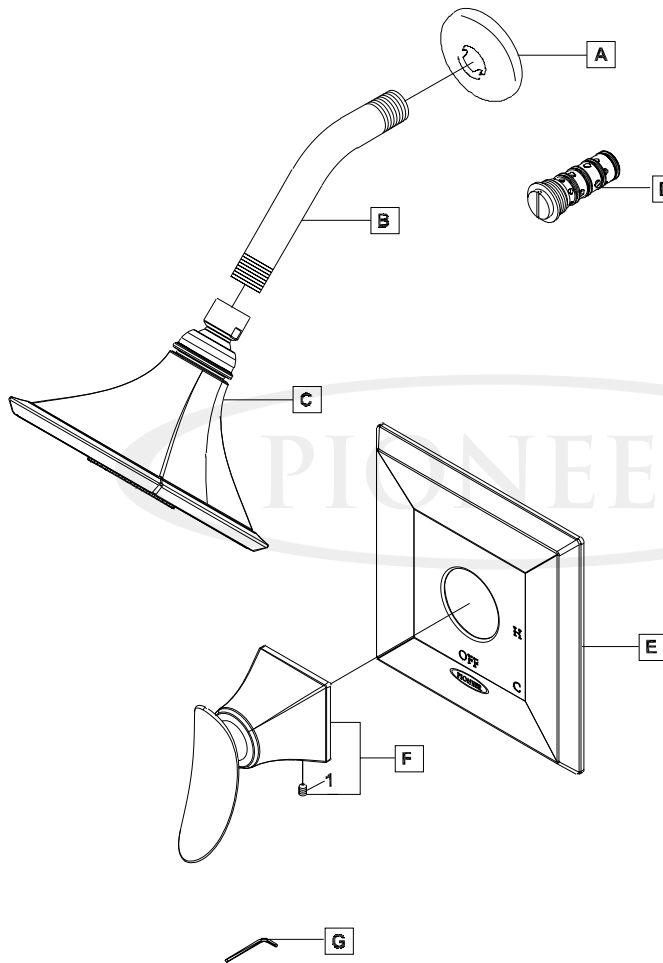
ENGINEERING EXCELLENCE

Pioneer:1-800-338-9468
 Commerce, CA 90040
 www.pioneerind.com
 Pioneer Industries, Inc. © 2009

DMPB4PR300TX/REV. 12 2009
 Page 1 of 2

| | ITEM# | DESCRIPTION |
|---|------------|--------------------------------|
| A | X-6400015* | Shower Arm Flange |
| B | X-6400002* | Shower Arm |
| C | X-6400009* | Five Setting Prenza Showerhead |
| D | X-4400005 | Pressure Balance Spool |
| E | X-6400046* | Face Plate |
| F | X-1400020* | Prenza Handle |
| G | X-4900024 | 3/32" Allen Wrench |
| I | X-4900002 | 3/32" Allen Screw |

* Note- Please specify finish/color code while ordering.



Product Diagram



ENGINEERING EXCELLENCE

Pioneer: 1-800-338-9468
 Commerce, CA 90040
 www.pioneerind.com
 Pioneer Industries, Inc. © 2009