



# ENGINEERING EXCELLENCE

Prenza Series #4PR100TX

SPECIFICATION SHEET

### DESCRIPTION

- Single Handle Tub and Shower Trim Set
- Metal Lever Handle
- SS Pressure Balancing Spool
- Five Function 4-1/2" Diameter Showerhead
- Shower Arm and Flange
- Combo 1/2" IPS/Slip-On Diverter Tub Spout

### FINISHES

- PC PVD Polished Chrome
- BN PVD Brushed Nickel
- SS PVD Stainless Steel



### STANDARDS APPLICABLE

- ASME A112.18.1
- ANSI A117.1
- CUPC / IAPMO LISTED / ADA COMPLIANT

### FLOW

- Showerhead Limited to 2.5 GPM

#4PR100TX SHOWN \* ADA 

Model #: \_\_\_\_\_

Specific Features: \_\_\_\_\_

Project Name: \_\_\_\_\_

Submitted For: \_\_\_\_\_

Model	Description	Finishes	
#4PR100TX	Single Handle Tub and Shower Trim Set	<input type="checkbox"/> PC	<input type="checkbox"/> Other__
#4PR400TX	Single Handle Valve Trim Set	<input type="checkbox"/> PC	<input type="checkbox"/> Other__
Required Valve			
#4010B	Single Handle Tub and Shower-Valve Set	<input type="checkbox"/> N/A	
#4011B	Single Handle Tub and Shower-Valve Set-Less Inlet Stops	<input type="checkbox"/> N/A	



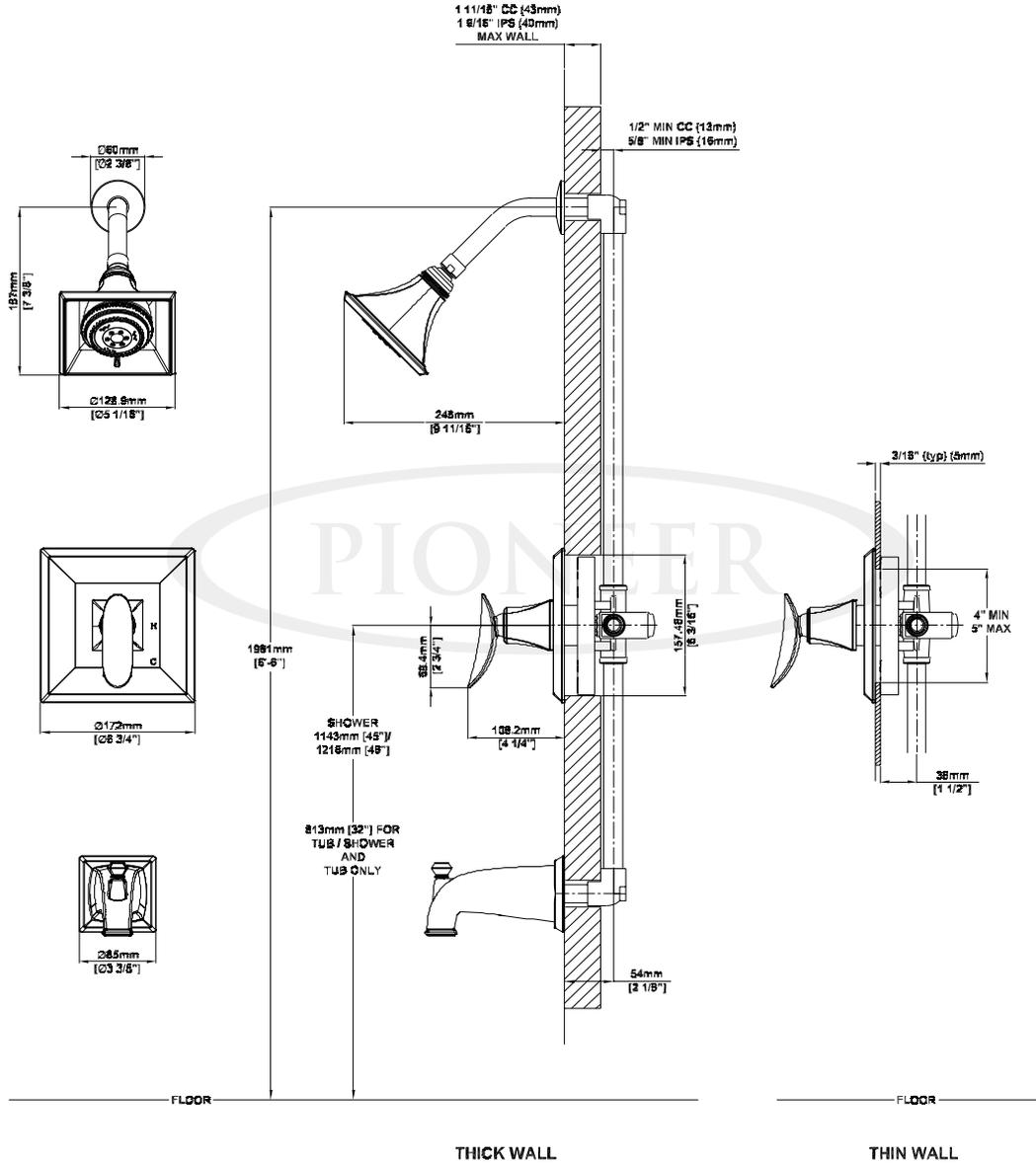
ENGINEERING EXCELLENCE

Pioneer:1-800-338-9468  
 Commerce, CA 90040  
 www.pioneerind.com  
 Pioneer Industries, Inc. © 2013

DMSP4PR100TX/REV. 12 2012  
 Page 1 of 2

**Installation Note:**

Please refer to Installation Guide For this Product. Also Please refer to Installation Guide For the Rough-in Valve. Avoid Cross Flow Connections. Do not install a Shut off valve to any of the outlets. Install a 305 MM [12"] Straight Pipe with single elbow for bath between the rough-in valve and the tub spout.



**Product Diagram**



ENGINEERING EXCELLENCE

Pioneer: 1-800-338-9468  
 Commerce, CA 90040  
 www.pioneerind.com  
 Pioneer Industries, Inc. © 2013