



# ENGINEERING EXCELLENCE

## Motegi Series #4MT720 SPECIFICATION SHEET

### DESCRIPTION

- Single Handle Roman Tub Set
- Metal Lever Handle
- Rigid Gooseneck Spout
- 9-3/8" Reach
- Ceramic Disc Cartridge with Temperature Limit Stop
- 2-Hole 4" to 6" Installation

### FINISHES

- PC PVD Polished Chrome
- BN PVD Brushed Nickel
- SS PVD Stainless Steel
- PN PVD Polished Nickel
- PB PVD Polished Brass



#4MT720 SHOWN \* ADA 

### STANDARDS APPLICABLE

- ASME A112.18.1
- ANSI A117.1
- CUPC / IAPMO LISTED / ADA COMPLIANT

### Note:-

Rough-in valve included.

Model #: \_\_\_\_\_

Specific Features: \_\_\_\_\_

Project Name: \_\_\_\_\_

Submitted For: \_\_\_\_\_

Model	Description	Finishes	
#4MT720	Single Handle Roman Tub Set	<input type="checkbox"/> PC	<input type="checkbox"/> Other__



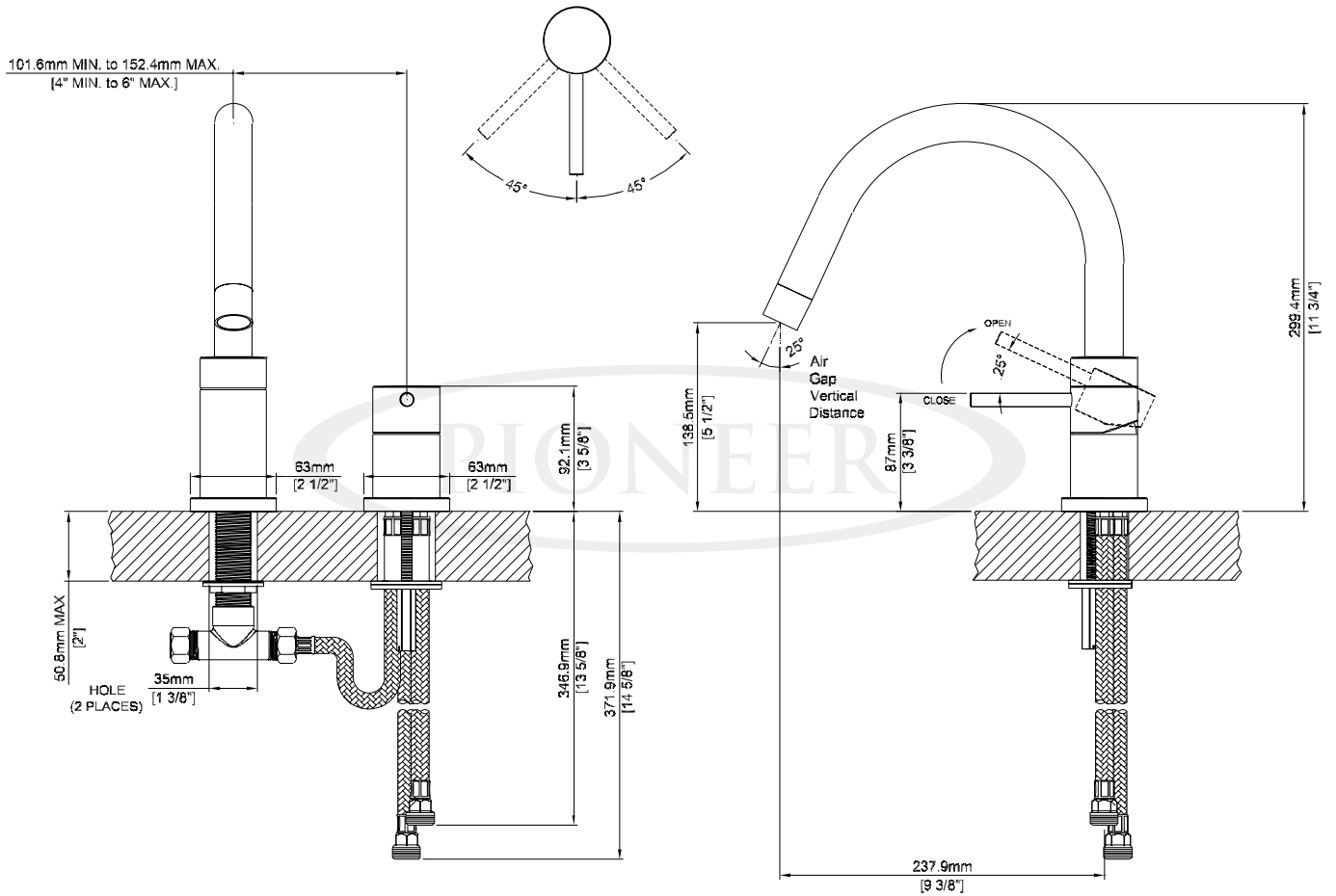
ENGINEERING EXCELLENCE

Pioneer:1-800-338-9468  
 Commerce, CA 90040  
 www.pioneerind.com  
 Pioneer Industries, Inc. © 2013

DMSP4MT720/REV. 12 2012  
 Page 1 of 2

**Installation Note:**

Please refer to Installation Guide For this Product.



**Product Diagram**



ENGINEERING EXCELLENCE

Pioneer: 1-800-338-9468  
 Commerce, CA 90040  
 www.pioneerind.com  
 Pioneer Industries, Inc. © 2013