



ENGINEERING EXCELLENCE

Legacy Series #4LG300TX

PARTS BREAKDOWN SHEET

DESCRIPTION

- Single Handle Shower Trim Set
- Metal Lever Handle
- Stainless Steel Pressure Balancing Spool
- Four Function 3-3/8" Diameter Showerhead
- Shower Arm and Flange

FINISHES

- PC PVD Polished Chrome
- SS PVD Stainless Steel
- BN PVD Brushed Nickel



STANDARDS APPLICABLE

- ASME A112.18.1
- ANSI A117.1
- CUPC / IAPMO LISTED / ADA COMPLIANT

FLOW

- Showerhead Limited to 2.5 GPM

#4LG300TX SHOWN * ADA 

Model #: _____

Specific Features: _____

Project Name: _____

Submitted For: _____

Model	Description	Finishes
#4LG300TX	Single Handle Shower Trim Set	<input type="checkbox"/> PC <input type="checkbox"/> Other____
Required Valve		
#4010B	Single Handle Tub and Shower - Valve Set	<input type="checkbox"/> N/A
#4011B	Single Handle Tub and Shower - Valve Set-Less Inlet Stops	<input type="checkbox"/> N/A



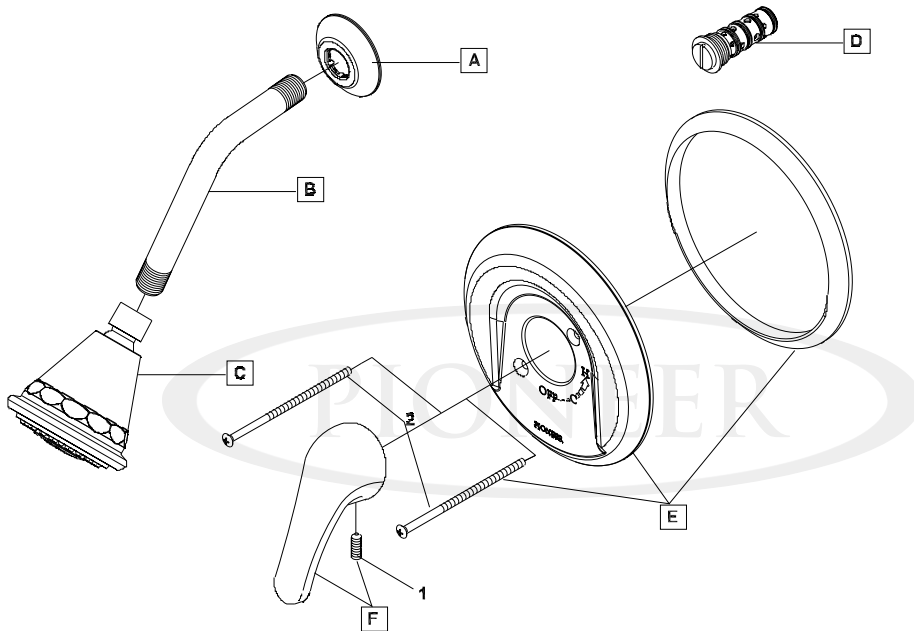
ENGINEERING EXCELLENCE

Pioneer:1-800-338-9468
 Commerce, CA 90040
 www.pioneerind.com
 Pioneer Industries, Inc. © 2013

DMPB4LG300TX/REV. 12 2012
 Page 1 of 2

	ITEM#	DESCRIPTION
A	X-6400003*	Legacy Shower Arm Flange
B	X-6400002*	Shower Arm
C	X-6400001*	Legacy Showerhead
D	X-4400005	Pressure Balance Spool
E	X-6400018*	Legacy Face Plate
F	X-1400001*	Legacy Lever Handle
1	X-4400001	Legacy Lever Handle Allen Screw
2	X-4400062*	Face Plate Screws

* Note- Please specify finish/color code while ordering.



Product Diagram



ENGINEERING EXCELLENCE

Pioneer: 1-800-338-9468
 Commerce, CA 90040
 www.pioneerind.com
 Pioneer Industries, Inc. © 2013