



# ENGINEERING EXCELLENCE

Del Mar Series #4DM100TX

PARTS BREAKDOWN SHEET

### DESCRIPTION

- Single Handle Tub and Shower Trim Set
- Del Mar Lever Handle
- Del Mar Face Plate
- Stainless Steel Pressure Balancing Spool
- Del Mar Series Showerhead
- Shower Arm and Flange
- Combo 1/2" IPS /Slip-On Diverter Tub Spout with Escutcheon

### FINISHES

- PC PVD Polished Chrome
- BN PVD Brushed Nickel
- ORB Oil Rubbed Bronze
- TB PVD Tuscany Bronze



#4DM100TX SHOWN \* ADA 

### STANDARDS APPLICABLE

- ASME A112.18.1
- ANSI A117.1
- CUPC / IAPMO LISTED / ADA COMPLIANT

### FLOW

- Showerhead Limited to 2.5 GPM

Model #: \_\_\_\_\_

Specific Features: \_\_\_\_\_

Project Name: \_\_\_\_\_

Submitted For: \_\_\_\_\_

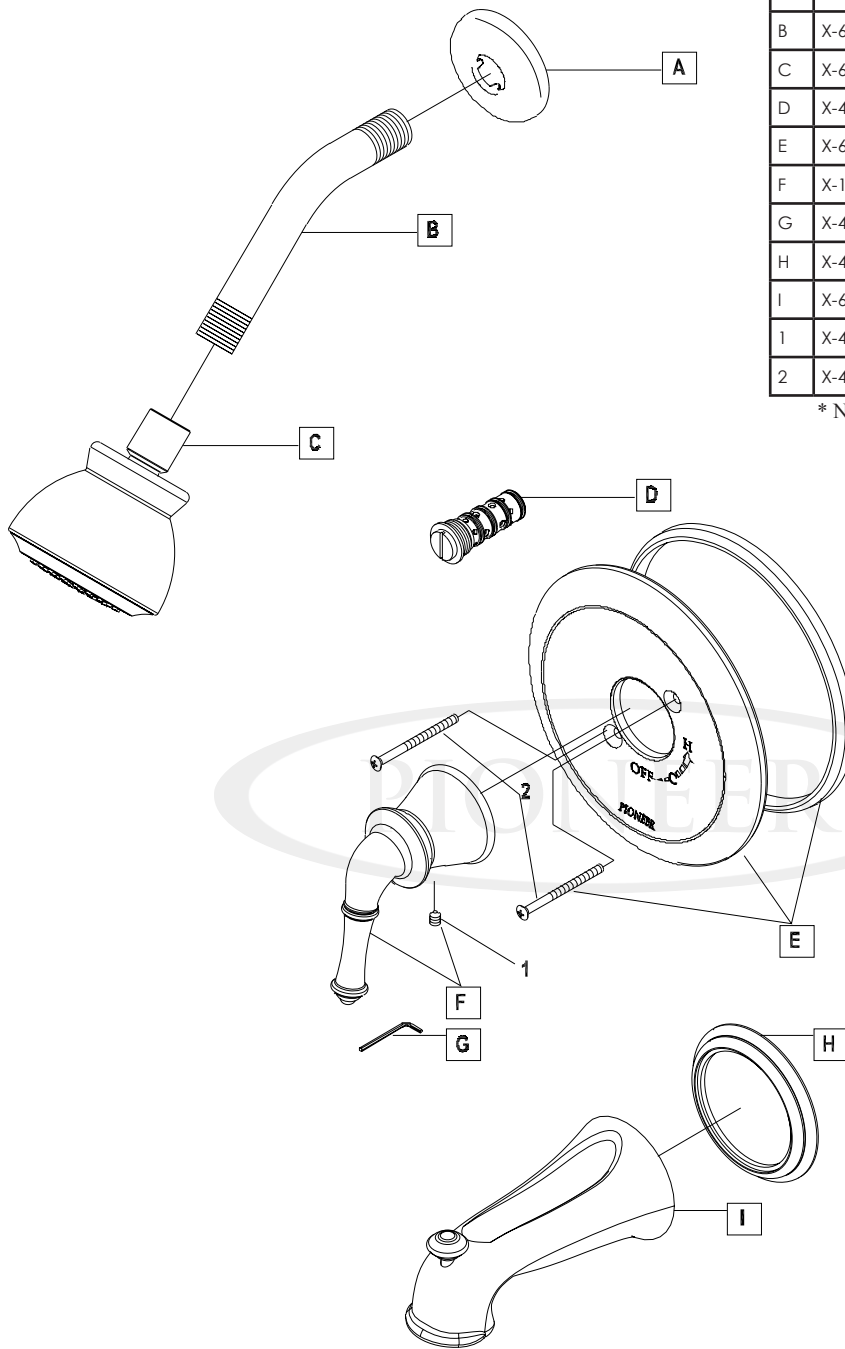
Model	Description	Finishes	
#4DM100TX	Single Handle Tub and Shower Trim Set	<input type="checkbox"/> PC	<input type="checkbox"/> Other____
#4DM400TX	Single Handle Valve Trim Set	<input type="checkbox"/> PC	<input type="checkbox"/> Other____
Required Valve			
#4010B	Single Handle Tub and Shower-Valve Set Only	<input type="checkbox"/> N/A	
#4011B	Single Handle Tub and Shower-Valve Set Only- Less Inlet Stops	<input type="checkbox"/> N/A	



ENGINEERING EXCELLENCE

Pioneer:1-800-338-9468  
 Commerce, CA 90040  
 www.pioneerind.com  
 Pioneer Industries, Inc. © 2009

DMPB4DM100TX/REV. 12 2009  
 Page 1 of 2



	ITEM#	DESCRIPTION
A	X-6400015*	Del Mar Shower Arm Flange
B	X-6400002*	Shower Arm
C	X-6400019*	Del Mar Showerhead
D	X-4400005	Pressure Balance Spool
E	X-6400020*	Del Mar Face plate
F	X-1400016*	Del Mar Handle
G	X-4900024	3/32" Allen Wrench
H	X-4400002*	Spout Escutcheon
I	X-6400021*	Del Mar Diverter Tub spout
1	X-4900002	Del Mar Handle Allen Screw
2	X-4400062*	Face Plate Screws

\* Note- Please specify finish/color code while ordering.

Product Diagram



ENGINEERING EXCELLENCE

Pioneer: 1-800-338-9468  
 Commerce, CA 90040  
 www.pioneerind.com  
 Pioneer Industries, Inc. © 2009