



ENGINEERING EXCELLENCE

Cabrillo Series #4CB300TX

PARTS BREAKDOWN SHEET

DESCRIPTION

- Single Handle Shower Trim Set
- Metal Handle
- SS Pressure Balancing Spool
- Five Function 4-1/2" Diameter Showerhead
- Shower Arm and Flange

FINISHES

- PC PVD Polished Chrome
- BN PVD Brushed Nickel
- SS PVD Stainless Steel

STANDARDS APPLICABLE

- ASME A112.18.1
- ANSI A117.1
- CUPC / IAPMO LISTED / ADA COMPLIANT

FLOW

- Showerhead Limited to 2.5 GPM



#4CB300TX SHOWN * ADA

Model #: _____

Specific Features: _____

Project Name: _____

Submitted For: _____

Model	Description	Finishes
#4CB300TX	Single Handle Shower Trim Set	<input type="checkbox"/> PC <input type="checkbox"/> Other__
<u>Required Valve</u>		
#4010B	Single Handle Tub and Shower-Valve Set	<input type="checkbox"/> N/A
#4011B	Single Handle Tub and Shower-Valve Set-Less Inlet Stops	<input type="checkbox"/> N/A



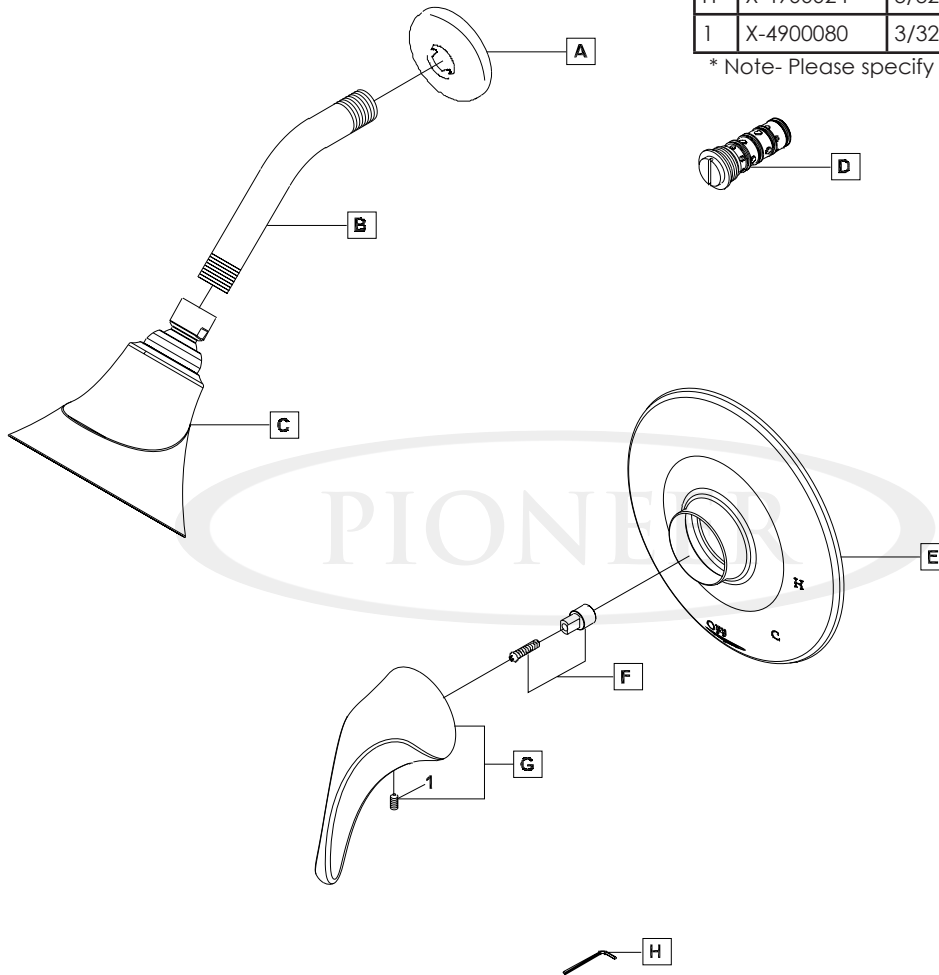
ENGINEERING EXCELLENCE

Pioneer: 1-800-338-9468
 Commerce, CA 90040
 www.pioneerind.com
 Pioneer Industries, Inc. © 2009

DMPB4CB300TX/REV. 12 2009
 Page 1 of 2

	ITEM#	DESCRIPTION
A	X-6400015*	Shower Arm Flange
B	X-6400002*	Shower Arm
C	X-6400048*	Five Setting Cabrillo Showerhead
D	X-4400005	Pressure Balance Spool
E	X-6400049*	Face Plate
F	X-4400068	Stem Extension
G	X-1400022*	Cabrillo Handle
H	X-4900024	3/32" Allen Wrench
I	X-4900080	3/32" Allen Screw

* Note- Please specify finish/color code while ordering.



Product Diagram



ENGINEERING EXCELLENCE

Pioneer: 1-800-338-9468
 Commerce, CA 90040
 www.pioneerind.com
 Pioneer Industries, Inc. © 2009