



ENGINEERING EXCELLENCE

Cabrillo Series #4CB100TX

SPECIFICATION SHEET

DESCRIPTION

- Single Handle Tub and Shower Trim Set
- Metal Handle
- SS Pressure Balancing Spool
- Five Function 4-1/2" Diameter Showerhead
- Shower Arm and Flange
- Combo 1/2" IPS/Slip-On Diverter Tub Spout
- Tub Spout Escutcheon

FINISHES

- PC PVD Polished Chrome
- BN PVD Brushed Nickel
- SS PVD Stainless Steel



#4CB100TX SHOWN * ADA

STANDARDS APPLICABLE

- ASME A112.18.1
- ANSI A117.1
- CUPC / IAPMO LISTED / ADA COMPLIANT

FLOW

- Showerhead Limited to 2.5 GPM

Model #: _____

Specific Features: _____

Project Name: _____

Submitted For: _____

| Model | Description | Finishes | |
|-----------------------|---|------------------------------|----------------------------------|
| #4CB100TX | Single Handle Tub and Shower Trim Set | <input type="checkbox"/> PC | <input type="checkbox"/> Other__ |
| #4CB400TX | Single Handle Valve Trim Set | <input type="checkbox"/> PC | <input type="checkbox"/> Other__ |
| Required Valve | | | |
| #4010B | Single Handle Tub and Shower-Valve Set | <input type="checkbox"/> N/A | |
| #4011B | Single Handle Tub and Shower-Valve Set-Less Inlet Stops | <input type="checkbox"/> N/A | |



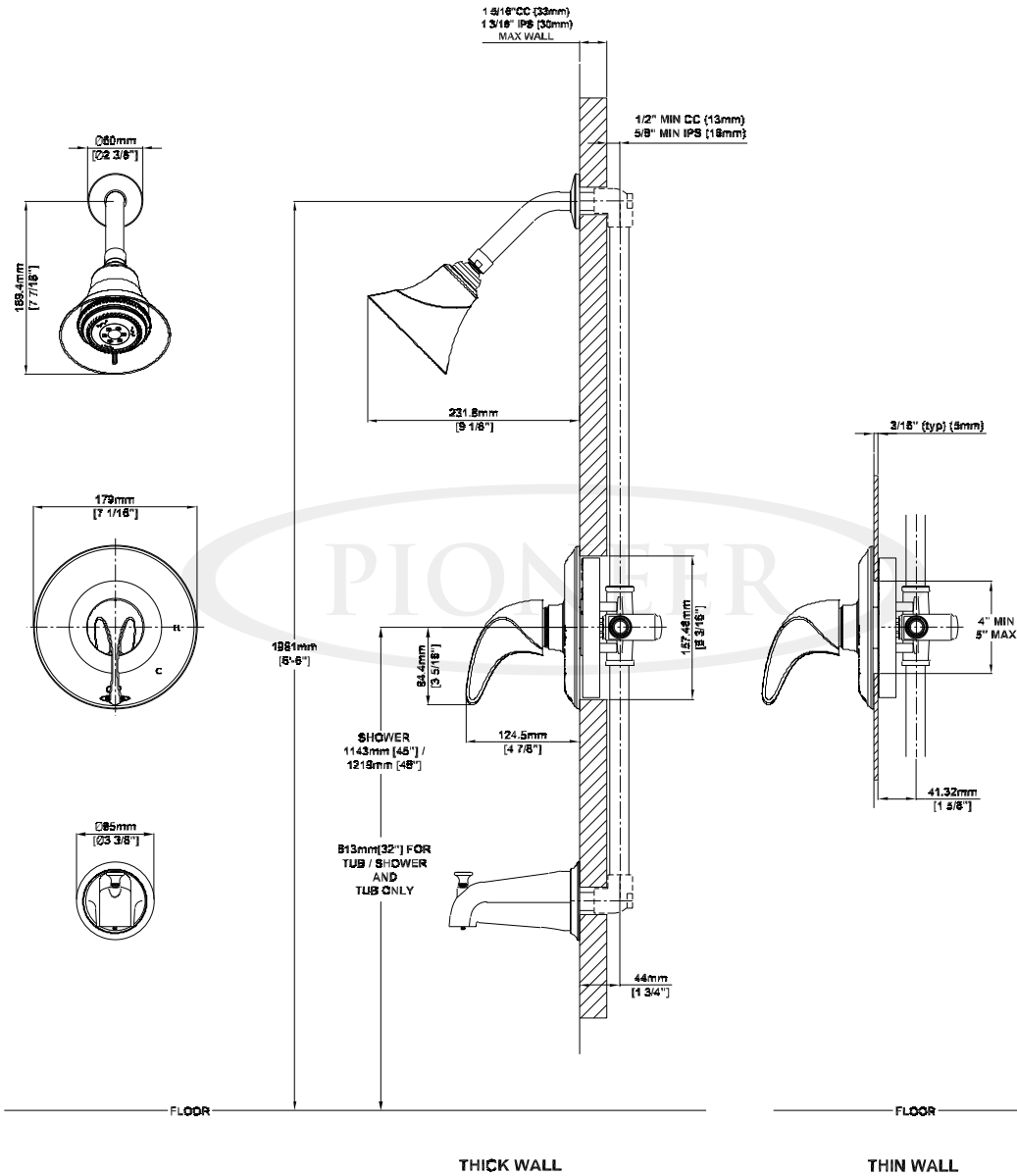
ENGINEERING EXCELLENCE

Pioneer: 1-800-338-9468
 Commerce, CA 90040
 www.pioneerind.com
 Pioneer Industries, Inc. © 2013

DMSP4CB100TX/REV. 12 2012
 Page 1 of 2

Installation Note:

Please refer to Installation Guide For this Product. Also Please refer to Installation Guide For the Rough-in Valve. Avoid Cross Flow Connections. Do not install a Shut off valve to any of the outlets. Install a 305 MM [12"] Straight Pipe with single elbow for bath between the rough-in valve and the tub spout.



Product Diagram



ENGINEERING EXCELLENCE

Pioneer: 1-800-338-9468
 Commerce, CA 90040
 www.pioneerind.com
 Pioneer Industries, Inc. © 2013