



ENGINEERING EXCELLENCE

Brentwood Series #4BR620

SPECIFICATION SHEET

DESCRIPTION

- Two Handle Roman Tub Set
- Porcelain Cross Handles
- Rigid Tea Pot Style Spout
- 8-1/2" Reach
- Ceramic Disc Cartridges
- 3-Hole 8" to 16" Installation
- Includes Spout and Valve Escutcheons

FINISHES

- PC PVD Polished Chrome
- BN PVD Brushed Nickel
- PN PVD Polished Nickel
- PB PVD Polished Brass
- ORB Oil Rubbed Bronze



#4BR620 SHOWN

Note:-

Rough-in valve included.

STANDARDS APPLICABLE

- ASME A112.18.1
- CUPC / IAPMO LISTED

Model #: _____

Specific Features: _____

Project Name: _____

Submitted For: _____

Model	Description	Finishes	
#4BR620	Two Handle Roman Tub Set	<input type="checkbox"/> PC	<input type="checkbox"/> Other__



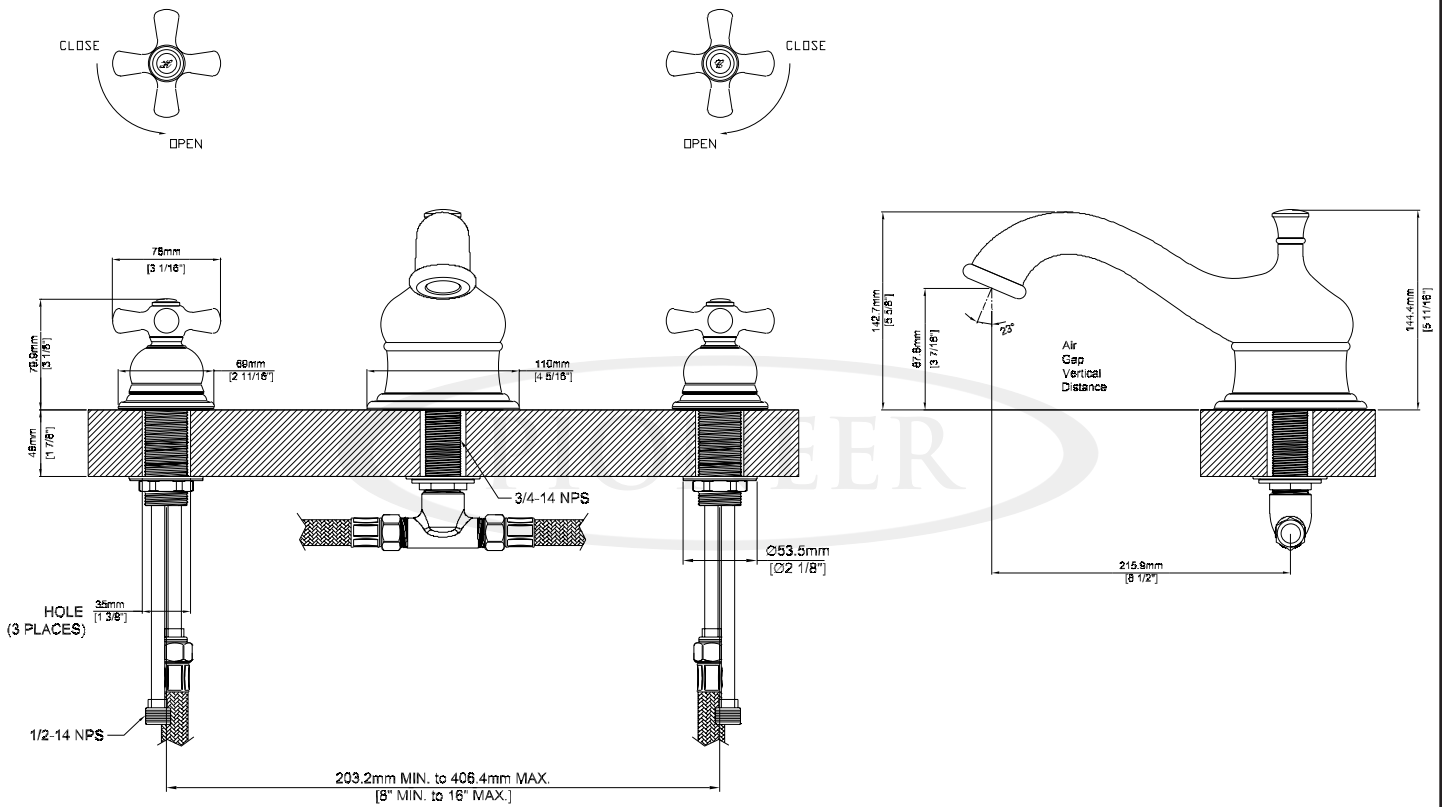
ENGINEERING EXCELLENCE

Pioneer: 1-800-338-9468
 Commerce, CA 90040
 www.pioneerind.com
 Pioneer Industries, Inc. © 2013

DMSP4BR620/REV. 12 2012
 Page 1 of 2

Installation Note:

Please refer to Installation Guide For this Product.



Product Diagram



ENGINEERING EXCELLENCE

Pioneer: 1-800-338-9468
 Commerce, CA 90040
 www.pioneerind.com
 Pioneer Industries, Inc. © 2013