



ENGINEERING EXCELLENCE

Brentwood Series #4BR600

PARTS BREAKDOWN SHEET

DESCRIPTION

- Two Handle Roman Tub Set
- Metal Lever Handles
- Rigid Tea Pot Style Spout
- 8-1/2" Reach
- Ceramic Disc Cartridges
- 3-Hole 8" to 16" Installation
- Includes Spout and Valve Escutcheons

FINISHES

- PC PVD Polished Chrome
- BN PVD Brushed Nickel
- PN PVD Polished Nickel
- PB PVD Polished Brass
- ORB Oil Rubbed Bronze



#4BR600 SHOWN * ADA 

STANDARDS APPLICABLE

- ASME A112.18.1
- ANSI A117.1
- CUPC / IAPMO LISTED / ADA COMPLIANT

Note:-

Rough-in valve included.

Model #: _____

Specific Features: _____

Project Name: _____

Submitted For: _____

| Model | Description | Finishes | |
|---------|--------------------------|-----------------------------|----------------------------------|
| #4BR600 | Two Handle Roman Tub Set | <input type="checkbox"/> PC | <input type="checkbox"/> Other__ |

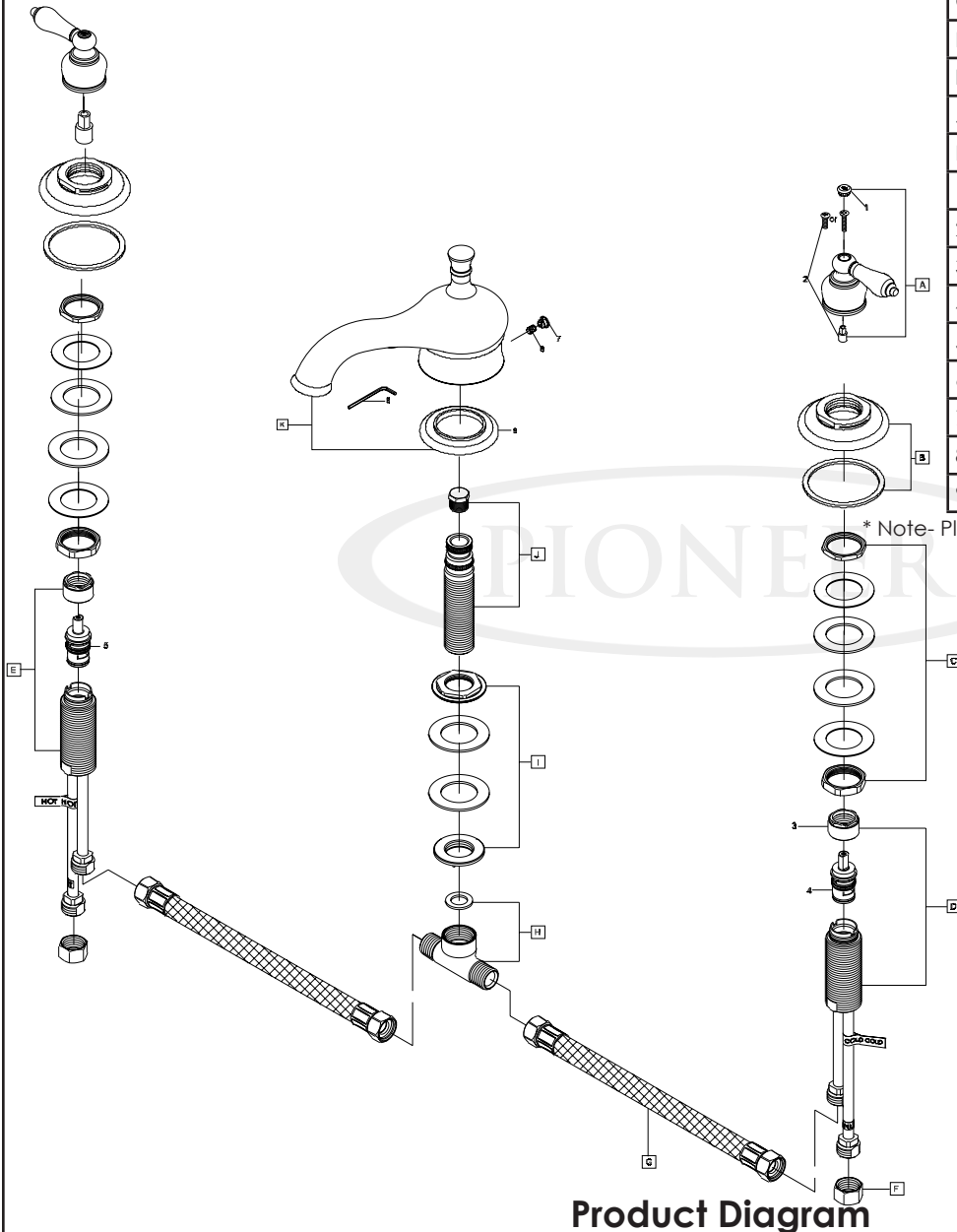


ENGINEERING EXCELLENCE

Pioneer: 1-800-338-9468
 Commerce, CA 90040
 www.pioneerind.com
 Pioneer Industries, Inc. © 2013

DMPB4BR600/REV. 12 2012
 Page 1 of 2

| | ITEM# | DESCRIPTION |
|---|---------------|------------------------|
| A | X-1400008C,H* | Lever Handles |
| B | X-4400046* | Valve Escutcheon |
| C | X-5400003 | Valve Mounting Kit |
| D | X-3900005C | Valve-Cold |
| E | X-3900005H | Valve-Hot |
| F | X-4900004 | Supply Nut |
| G | X-4400063 | Hose Connector </td |
| H | X-4400029 | Tee Connector |
| I | X-5400001 | Spout Mounting Kit |
| J | X-5400005 | Shank |
| K | X-2400011* | Tea Pot Style Spout |
| 1 | X-4900042C,H* | Button-Cold,Hot |
| 2 | X-4900065 | Stem Extension |
| 3 | X-4900022 | Bonnet Nut |
| 4 | X-3900002C | Ceramic Cartridge-Cold |
| 5 | X-3900002H | Ceramic Cartridge-Hot |
| 6 | X-4900026 | 1/8" Allen Wrench |
| 7 | X-4400048* | Spout Button |
| 8 | X-4400018 | 1/8" Allen Screw |
| 9 | X-4400052* | Spout Escutcheon |



* Note- Please Specify finish\color code while ordering.

Product Diagram



ENGINEERING EXCELLENCE

Pioneer:1-800-338-9468

Commerce, CA 90040

www.pioneerind.com

Pioneer Industries, Inc. © 2013