



# ENGINEERING EXCELLENCE

Brentwood Series #4BR120T

SPECIFICATION SHEET

### DESCRIPTION

- Single Handle Tub and Shower Trim Set
- Porcelain Cross Handle
- Ceramic Disc Cartridge with Temperature Limit Stop
- Dual Function 2-1/2" Diameter Showerhead
- Shower Arm and Flange
- Combo 1/2" IPS/Slip-On Diverter Tub Spout
- Tub Spout Escutcheon
- Color Match Sleeve and Retaining Ring

### FINISHES

- PC PVD Polished Chrome
- BN PVD Brushed Nickel
- PN PVD Polished Nickel
- PB PVD Polished Brass
- ORB Oil Rubbed Bronze



#4BR120T SHOWN

### STANDARDS APPLICABLE

- ASME A112.18.1
- CUPC / IAPMO LISTED

### FLOW

- Showerhead Limited to 2.5 GPM

Model #: \_\_\_\_\_

Specific Features: \_\_\_\_\_

Project Name: \_\_\_\_\_

Submitted For: \_\_\_\_\_

| Model          | Description                            | Finishes                     |                                  |
|----------------|--|------------------------------|----------------------------------|
| #4BR120T       | Single Handle Tub and Shower Trim Set  | <input type="checkbox"/> PC  | <input type="checkbox"/> Other__ |
| #4BR420T       | Single Handle Valve Trim Set           | <input type="checkbox"/> PC  | <input type="checkbox"/> Other__ |
|                |  |                              |                                  |
| Required Valve |  |                              |                                  |
| #4020B         | Single Handle Tub and Shower-Valve Set | <input type="checkbox"/> N/A |                                  |



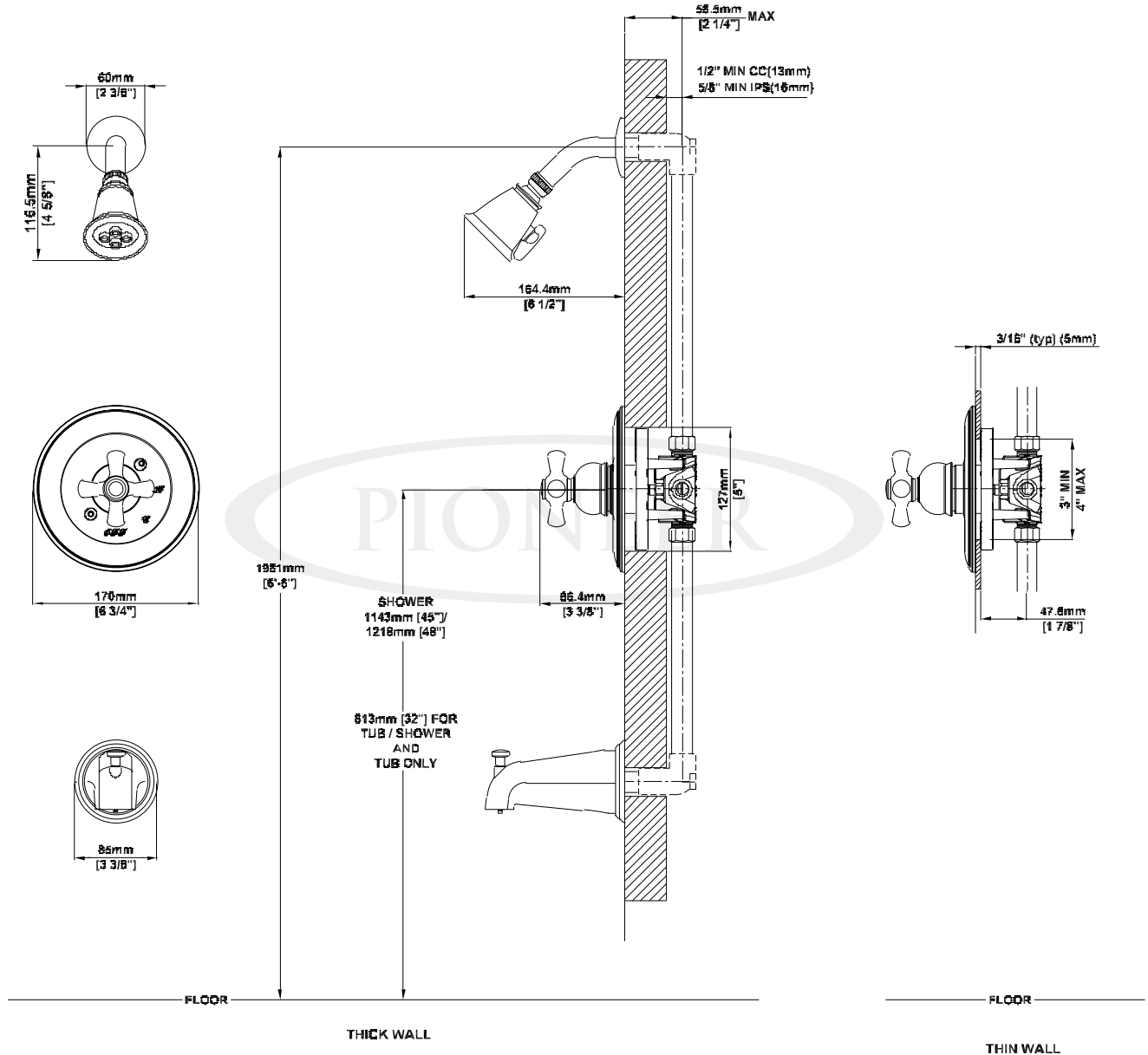
ENGINEERING EXCELLENCE

Pioneer: 1-800-338-9468  
 Commerce, CA 90040  
 www.pioneerind.com  
 Pioneer Industries, Inc. © 2013

DMSP4BR120T/REV. 12 2012  
 Page 1 of 2

**Installation Note:**

Please refer to Installation Guide For this Product. Also Please refer to Installation Guide For the Rough-in Valve. Avoid Cross Flow Connections. Do not install a Shut off valve to any of the outlets. Install a 305 MM [12"] Straight Pipe with single elbow for bath between the rough-in valve and the tub spout.



**Product Diagram**



ENGINEERING EXCELLENCE

Pioneer: 1-800-338-9468  
 Commerce, CA 90040  
 www.pioneerind.com  
 Pioneer Industries, Inc. © 2013