



ENGINEERING EXCELLENCE

Americana Series #4AM100T PARTS BREAKDOWN SHEET

DESCRIPTION

- Single Handle Tub and Shower Trim Set
- Metal Lever Handle
- Single Function 3-1/2" Diameter Showerhead
- 13" Long Shower Arm and Flange
- 1/2" IPS Diverter Tub Spout
- Tub Spout Escutcheon
- Color Match Sleeve and Retaining Ring

FINISHES

- PC PVD Polished Chrome
- BN PVD Brushed Nickel
- SS PVD Stainless Steel
- PN PVD Polished Nickel
- PB PVD Polished Brass
- GR PVD Golden Rose
- ORB Oil Rubbed Bronze
- TB PVD Tuscany Bronze



#4AM100T SHOWN * ADA

STANDARDS APPLICABLE

- ASME A112.18.1
- ANSI A117.1
- CUPC / IAPMO LISTED /ADA COMPLIANT

FLOW

- Showerhead Limited to 2.5 GPM Flow Rate

Model #: _____

Specific Features: _____

Project Name: _____

Submitted For: _____

Model	Description	Finishes	
#4AM100T	Single Handle Tub and Shower Trim Set	<input type="checkbox"/> PC	<input type="checkbox"/> Other__
#4AM400T	Single Handle Valve Trim Set	<input type="checkbox"/> PC	<input type="checkbox"/> Other__
Required Valve			
#4020B	Single Handle Tub And Shower Valve Set	<input type="checkbox"/> N/A	



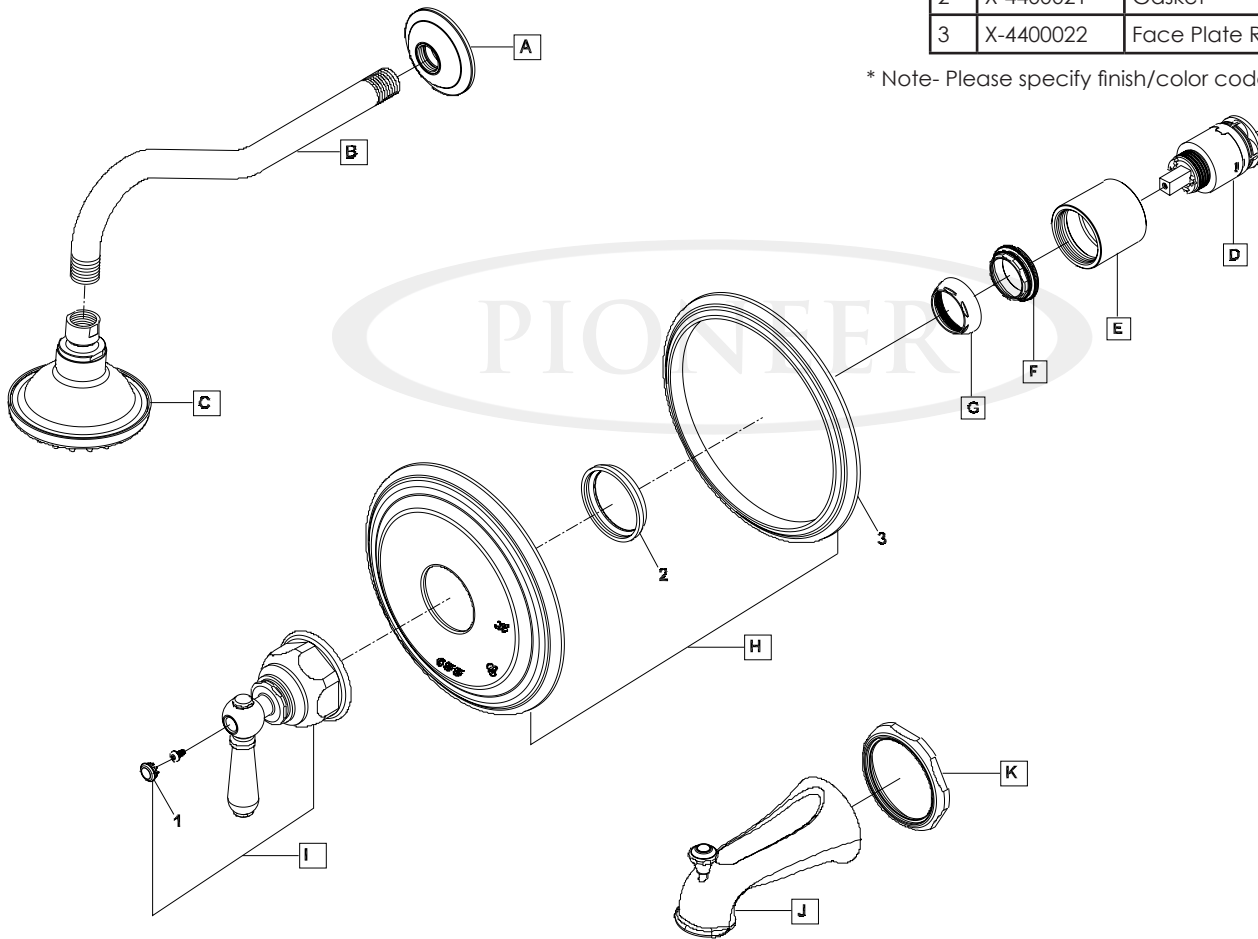
ENGINEERING EXCELLENCE

Pioneer:1-800-338-9468
 Commerce, CA 90040
 www.pioneerind.com
 Pioneer Industries, Inc. © 2013

DMPB4AM100T/REV. 12 2013
 Page 1 of 2

	ITEM#	DESCRIPTION
A	X-640006*	Shower Arm Flange
B	X-640005*	Shower Arm
C	X-640004*	Showerhead
D	X-340007	Ceramic Disc Cartridge
E	X-440030*	Sleeve
F	X-440080	Lock Nut
G	X-420001*	Retainer Cap
H	X-640007*	Face Plate
I	X-140029*	Americana Lever Handle
J	X-640008*	Diverter Tub Spout
K	X-440065*	Escutcheon
1	X-490042P*	Hole Cover
2	X-440021	Gasket
3	X-440022	Face Plate Rubber Gasket

* Note- Please specify finish/color code while ordering.



Product Diagram



ENGINEERING EXCELLENCE

Pioneer: 1-800-338-9468
 Commerce, CA 90040
 www.pioneerind.com
 Pioneer Industries, Inc. © 2013