



ENGINEERING EXCELLENCE

#4011B

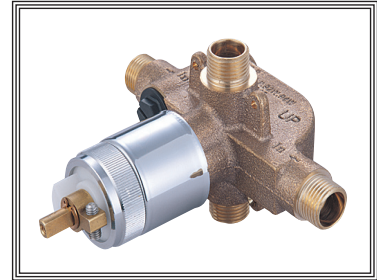
PARTS BREAKDOWN SHEET

DESCRIPTION

- Single Handle Tub and Shower Valve Set
- Combo CXC and IPS Inlet and Outlet Connections
- Washerless Cartridge with Adjustable Temperature Limit Stop
- Back to Back Installation
- Wide Internal Waterways

Caution:-

- Stainless Steel Pressure Balancing Spool is Included in Trim Pack Only.



#4011B SHOWN

STANDARDS APPLICABLE

- ASME A112.18.1
- ASSE 1016
- CUPC / IAPMO LISTED

Model #: _____

Specific Features: _____

Project Name: _____

Submitted For: _____

Model	Description	Finishes
#4011B	Single Handle Tub and Shower Valve Set	NA



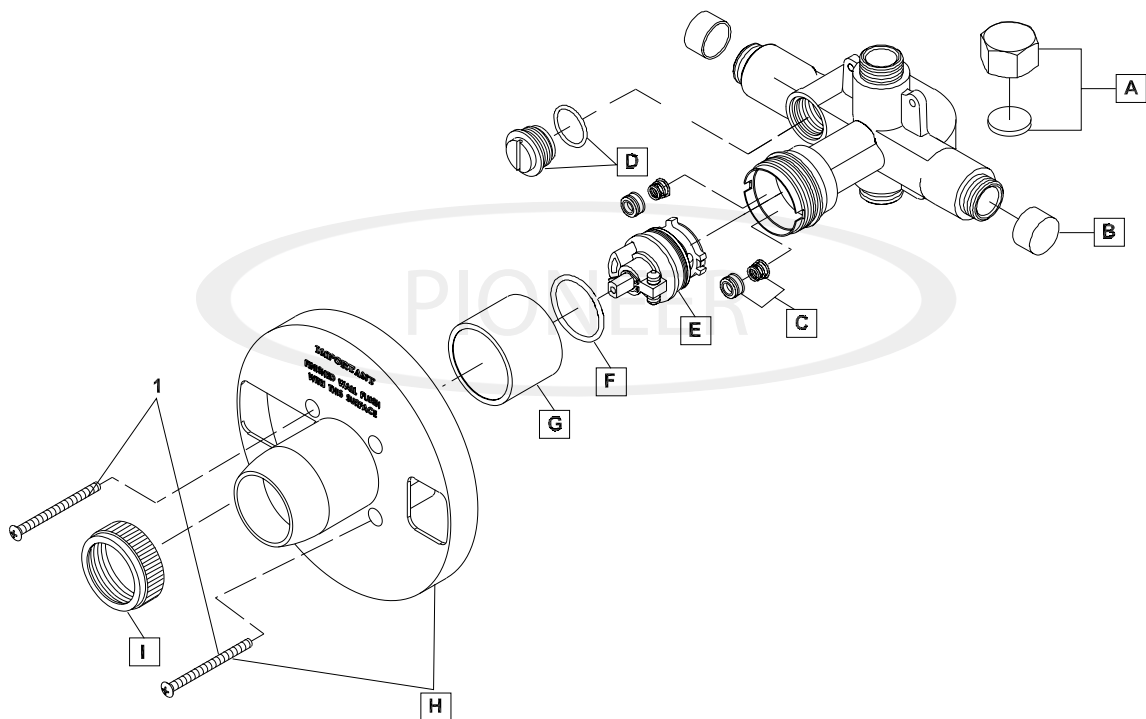
ENGINEERING EXCELLENCE

Pioneer: 1-800-338-9468
 Commerce, CA 90040
 www.pioneerind.com
 Pioneer Industries, Inc. © 2009

DMPB4011B/REV. 12 2009
 Page 1 of 2

	ITEM#	DESCRIPTION
A	X-4900025	Cap & Washer
B	X-4400007	Protective Cover
C	X-4900019	Springs and Seats
D	X-4400010	Test Plug
E	X-3400001	Cartridge
F	X-4400008	Sleeve O-Ring
G	X-4400009*	Sleeve
H	X-4400011	Mud Guard Plate
I	X-4400012*	Retainer Ring
1	X-4400013	Mud Guard Plate Screws

* Note- Please specify finish/color code while ordering.



Product Diagram



ENGINEERING EXCELLENCE

Pioneer: 1-800-338-9468
 Commerce, CA 90040
 www.pioneerind.com
 Pioneer Industries, Inc. © 2009