



ENGINEERING EXCELLENCE

#4010B

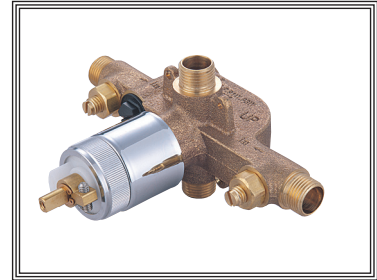
PARTS BREAKDOWN SHEET

DESCRIPTION

- Single Handle Tub and Shower Valve Set
- Combo CXC and IPS Inlet and Outlet Connections
- Brass Inlet Stops
- Washerless Cartridge with Adjustable Temperature Limit Stop
- Back to Back Installation
- Wide Internal Waterways

Caution:-

- Stainless Steel Pressure Balancing Spool is Included in Trim Pack Only.



#4010B SHOWN

STANDARDS APPLICABLE

- ASME A112.18.1
- ASSE 1016
- CUPC / IAPMO LISTED

Model #: _____

Specific Features: _____

Project Name: _____

Submitted For: _____

| Model | Description | Finishes |
|--------|--|----------|
| #4010B | Single Handle Tub and Shower Valve Set | NA |



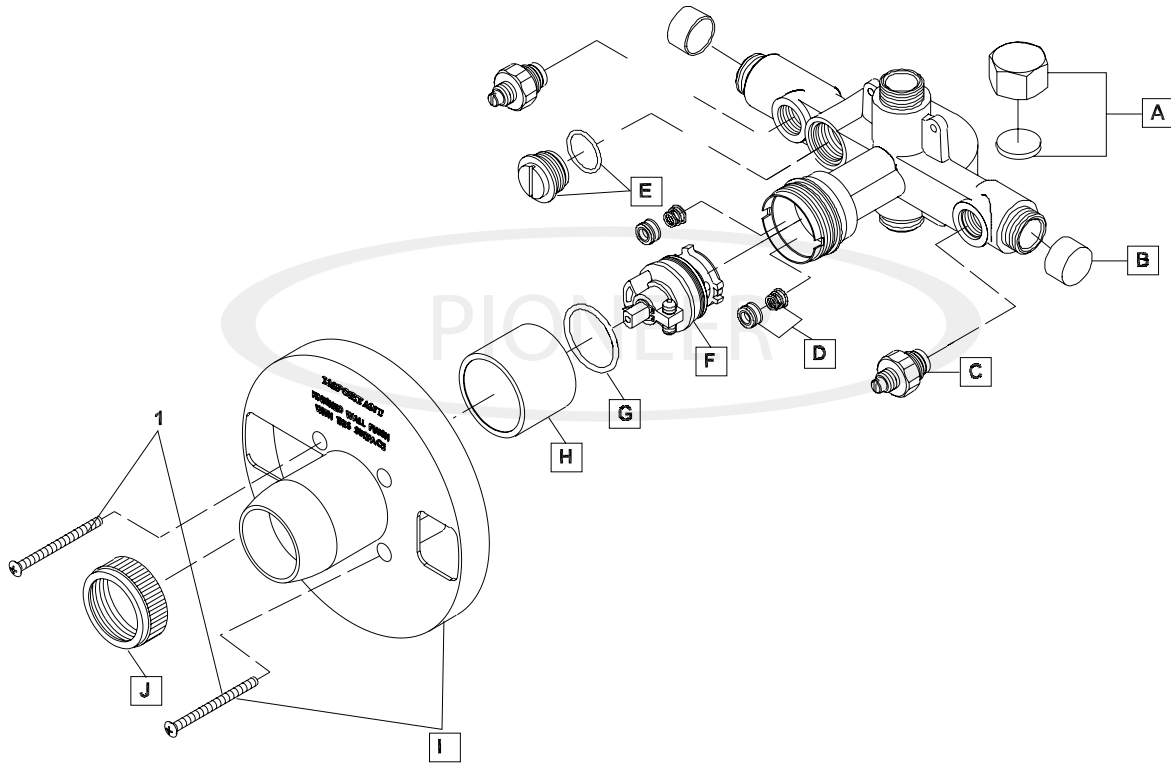
ENGINEERING EXCELLENCE

Pioneer: 1-800-338-9468
 Commerce, CA 90040
 www.pioneerind.com
 Pioneer Industries, Inc. © 2009

DMPB4010B/REV. 12 2009
 Page 1 of 2

| | ITEM# | DESCRIPTION |
|---|------------|---------------------------|
| A | X-4900025 | Cap & Washer |
| B | X-4400007 | Protective Cover |
| C | X-4400006 | stop assembly (For 4010B) |
| D | X-4900019 | Springs and Seats |
| E | X-4400010 | Test Plug |
| F | X-3400001 | Cartridge |
| G | X-4400008 | Sleeve O-Ring |
| H | X-4400009* | Sleeve |
| I | X-4400011 | Mud Guard Plate |
| J | X-4400012* | Retainer Ring |
| I | X-4400013 | Mud Guard Plate Screws |

* Note- Please specify finish/color code while ordering.



Product Diagram



ENGINEERING EXCELLENCE

Pioneer: 1-800-338-9468
 Commerce, CA 90040
 www.pioneerind.com
 Pioneer Industries, Inc. © 2009