



ENGINEERING EXCELLENCE

## Installation Guide

### Two Handle Lavatory Wallmount Vessel Filler:

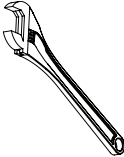



- 3BR600\*
- 3BR610\*
- 3BR620
- 3BR630\*
- 3MT600\*
- 3BR700\*
- 3BR710\*
- 3BR720
- 3BR730\*

### This product meets the following standards:

- ASME A112.18.1
- ANSI A117.1
- ANSI / NSF 61, SECTION 9
- CUPC / IAPMO LISTED / \*ADA COMPLIANT
- CONTAINS NO MORE THAN 0.25% WEIGHTED AVERAGE LEAD CONTENT

**Thank you for purchasing this Pioneer quality product.**

**Tools Required**

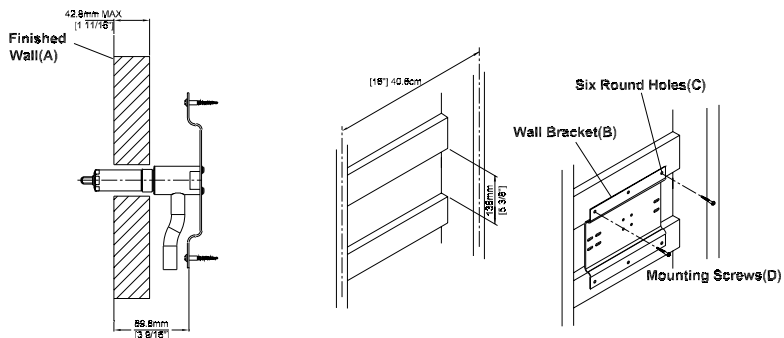
|  |   |   |   |  |
|--|---|---|---|--|
|  |  |  |  |  |
| Adjustable Wrench  | Teflon Tape   | Rags  | 3/32" Allen Wrench  |  |

**Prior to Installation**

- Observe all local plumbing and building codes before you begin installation.
- Carefully shut off both hot and cold water supplies.
- Plug the sink drain with a soft cloth to prevent intrusion of debris or the loss of any parts.
- Pioneer reserves the right to make changes in the design of faucets without notice.

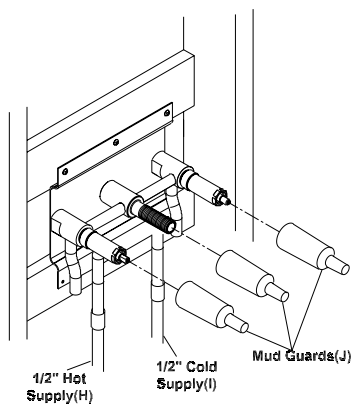
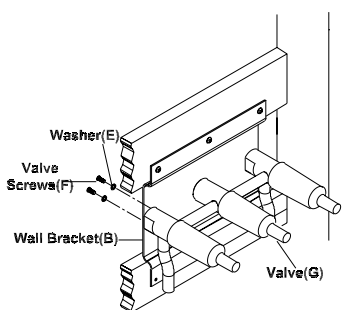
## Valve Installation

- **Note:-** The wall bracket (B) requires special framing and support considerations. Please pay special attention to minimum and maximum dimension recommendations noted.
- Refer to the specification for additional dimension information.
- A suggested framing example is shown. Each installation may have different framing requirements than shown.
- Construct the framing for your installation.
- Attach the wall bracket (B) to the framing with six panhead mounting screws (D) provided with the wall bracket (B).
- Verify that the installation is correct and leveled. Also verify the wall bracket (B) is firmly secured to the framing.



## Valve Installation

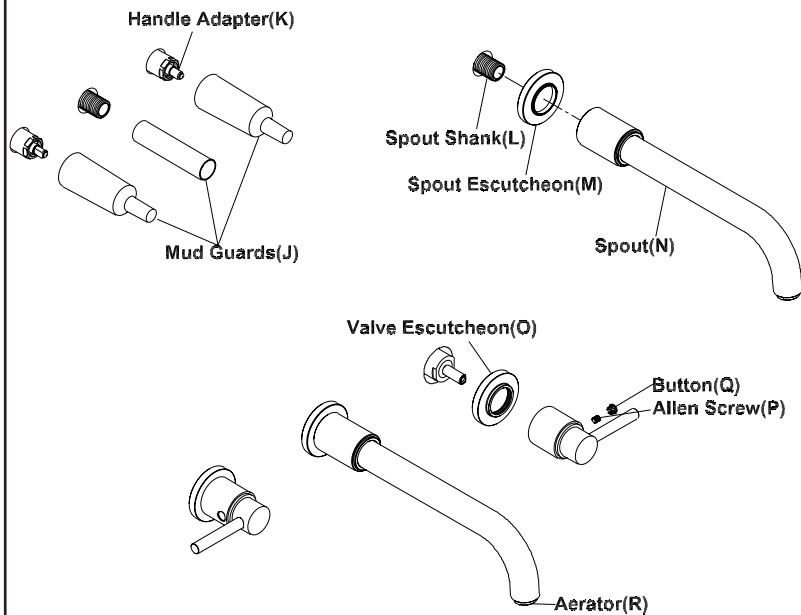
- Attach the valve body (G) to the wall bracket (B) with the screws (F) and washers (E) provided.
- Tighten the screws (F) securely.
- Remove all the components (like sleeve, ceramic cartridges) to prevent internal damage. Solder the 1/2" hot (H) and cold (I) water supply lines to the valve. After soldering replace all the components removed.
- Position a bucket in front of the spout shank. and turn on the main water supplies.
- Slowley open the valve stem and allow hot and cold water to flow from the spout shank for about a minute.
- Turn off the water. carefully inspect all the connections for leak. repair if necessary.
- Reattach mud guards (J) to the valve.



## Trim Installation

- **Note:-** To make sure proper fit and appearance, do not oversize the spout and handle shank holes.
- Complete the finished wall with three 1-1/2" holes. three holes should be 4" center apart.
- Remove the guards (J) once the finished wall is complete. Install handle adapter(K) on both side of stem. Note:- To install the handle in correct direction ensure the flat side of the handle adapters face opposite side of spout shank.
- Install spout escutcheon (M). Apply plumbers putty or sealant to form watertight seal. Thread spout (N) on the spout shank (L).Install it so the spout (N) faces downward.
- Install handle and valve escutcheon (O). Tighten the allen screw (P) and snap on button (Q).
- Remove the aerator(R) from the spout by turning counter clockwise.
- Turn on water. Check of any leaks. Make sure all the connection are secure.
- Turn on both the handles.
- Flush and allow water to run at full flow for at least one minute.
- Turn off water. Replace aerator (R).

## Trim Installation Drawing



For more care information or trouble shooting inquiries about your Pioneer Product, please see the contact information on the back page.



ENGINEERING EXCELLENCE

3325 S. Garfield Ave. | Commerce, CA 90040  
Telephone: (800) 338-9468 | (323) 888-8873 | Fax: (323) 888-9515  
Hours: M - F, 7:30am to 5:00pm PST  
[www.pioneerind.com](http://www.pioneerind.com)