



ENGINEERING EXCELLENCE

Brentwood Series #3BR530

SPECIFICATION SHEET

DESCRIPTION

- Two Handle Lavatory Wide-spread Faucet
- Beaux Lever Handles
- Rigid Tea Pot Style Spout
- 4-9/16" Reach, 1-3/16" from Deck to Aerator
- Ceramic Disc Cartridges
- 3-Hole 6" to 16" Installation
- Brass Pop-Up Drain Assembly
- Includes Spout and Valve Escutcheons

FINISHES

- PC PVD Polished Chrome
- BN PVD Brushed Nickel
- PN PVD Polished Nickel
- PB PVD Polished Brass
- ORB Oil Rubbed Bronze



#3BR530 SHOWN * ADA 

STANDARDS APPLICABLE

- ASME A112.18.1
- ANSI A117.1
- ANSI / NSF 61, SECTION 9
- CUPC / IAPMO LISTED / ADA COMPLIANT
- CONTAINS NO MORE THAN 0.25% WEIGHTED AVERAGE LEAD CONTENT

FLOW

- Aerator Limited to 1.5 GPM

Model #: _____

Specific Features: _____

Project Name: _____

Submitted For: _____

Model	Description	Finishes	
#3BR530	Two Handle Lavatory Widespread Faucet	<input type="checkbox"/> PC	<input type="checkbox"/> Other ____



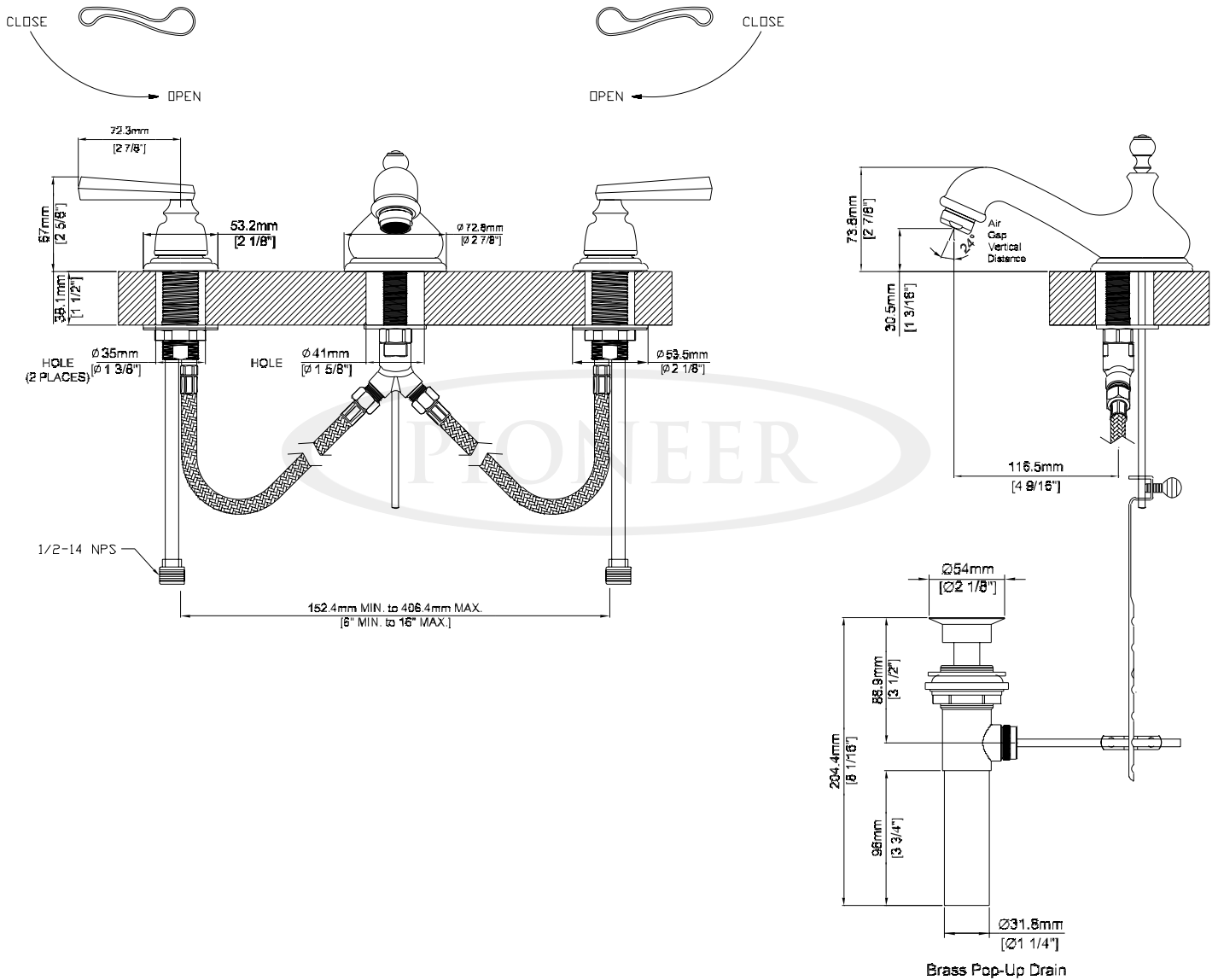
ENGINEERING EXCELLENCE

Pioneer: 1-800-338-9468
 Commerce, CA 90040
 www.pioneerind.com
 Pioneer Industries, Inc. © 2013

Installation Note:

Faucet Hole Size:- 1-1/4"

Maximum Deck Thickness:- 1-1/2"



Product Diagram



ENGINEERING EXCELLENCE

Pioneer: 1-800-338-9468

Commerce, CA 90040

www.pioneerind.com

Pioneer Industries, Inc. © 2013