



ENGINEERING EXCELLENCE

Brentwood Series #3BR500

PARTS BREAKDOWN SHEET

DESCRIPTION

- Two Handle Lavatory Wide-spread Faucet
- Metal Lever Handles
- Rigid Tea Pot Style Spout
- 4-9/16" Reach, 1-3/16" from Deck to Aerator
- Ceramic Disc Cartridges
- 3-Hole 6" to 16" Installation
- Brass Pop-Up Drain Assembly
- Includes Spout and Valve Escutcheons

FINISHES

- PC PVD Polished Chrome
- BN PVD Brushed Nickel
- PN PVD Polished Nickel
- PB PVD Polished Brass
- ORB Oil Rubbed Bronze



#3BR500 SHOWN * ADA 

STANDARDS APPLICABLE

- ASME A112.18.1
- ANSI A117.1
- ANSI / NSF 61, SECTION 9
- CUPC / IAPMO LISTED / ADA COMPLIANT
- CONTAINS NO MORE THAN 0.25% WEIGHTED AVERAGE LEAD CONTENT

FLOW

- Aerator Limited to 1.5 GPM

Model #: _____

Specific Features: _____

Project Name: _____

Submitted For: _____

Model	Description	Finishes	
#3BR500	Two Handle Lavatory Widespread Faucet	<input type="checkbox"/> PC	<input type="checkbox"/> Other ____

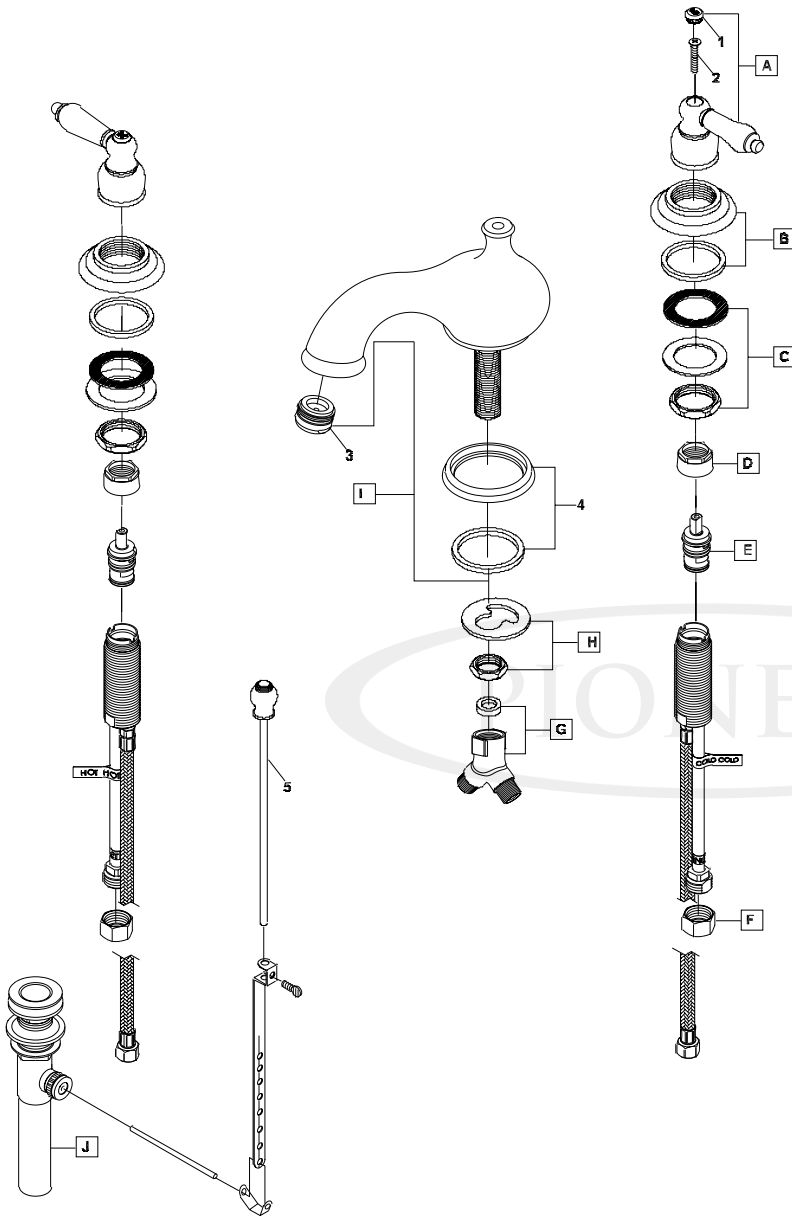


ENGINEERING EXCELLENCE

Pioneer: 1-800-338-9468
 Commerce, CA 90040
 www.pioneerind.com
 Pioneer Industries, Inc. © 2013

	ITEM#	DESCRIPTION
A	X-1900009C,H*	Lever Handle-Cold,Hot
B	X-4900063*	Valve Escutcheon
C	X-5900001	Mounting Kit
D	X-4900022	Bonnet Nut
E	X-3900002C,H	Ceramic Disc Cartridge-Cold,Hot
F	X-4900004	Supply Nut
G	X-4300011	'Y' Connector
H	X-5300003	Spout Mounting Kit
I	X-2300010*	Tea Pot Style Spout
J	X-6300008*	Brass Pop-Up Drain Assembly
1	X-4900042C,H*	Button-Cold,Hot
2	X-4900061	Brentwood Handle Screw
3	X-4900081*	1.5 GPM Aerator
4	X-4300042*	Spout Escutcheon
5	X-4300045*	Pop-Up Lift Rod

* Note- Please Specify finish\color code while ordering.



Product Diagram



ENGINEERING EXCELLENCE

Pioneer:1-800-338-9468

Commerce, CA 90040

www.pioneerind.com

Pioneer Industries, Inc. © 2013