



ENGINEERING EXCELLENCE

Brentwood Series #3BR230

PARTS BREAKDOWN SHEET

DESCRIPTION

- Two Handle Lavatory Faucet
- Beaux Lever Handles
- Rigid C Style Spout
- 3-13/16" Reach, 2-9/16" from Deck to Aerator
- Ceramic Disc Cartridges
- 3-Hole 4" Installation
- Brass Pop-Up Drain Assembly

FINISHES

- PC PVD Polished Chrome
- BN PVD Brushed Nickel
- PN PVD Polished Nickel
- PB PVD Polished Brass
- ORB Oil Rubbed Bronze



STANDARDS APPLICABLE

- ASME A112.18.1
- ANSI A117.1
- ANSI / NSF 61, SECTION 9
- CUPC / IAPMO LISTED / ADA COMPLIANT
- CONTAINS NO MORE THAN 0.25% WEIGHTED AVERAGE LEAD CONTENT

FLOW

- Aerator Limited to 1.5 GPM

#3BR230 SHOWN * ADA 

Model #: _____

Specific Features: _____

Project Name: _____

Submitted For: _____

Model	Description	Finishes
#3BR230	Two Handle Lavatory Faucet	<input type="checkbox"/> PC <input type="checkbox"/> Other ____



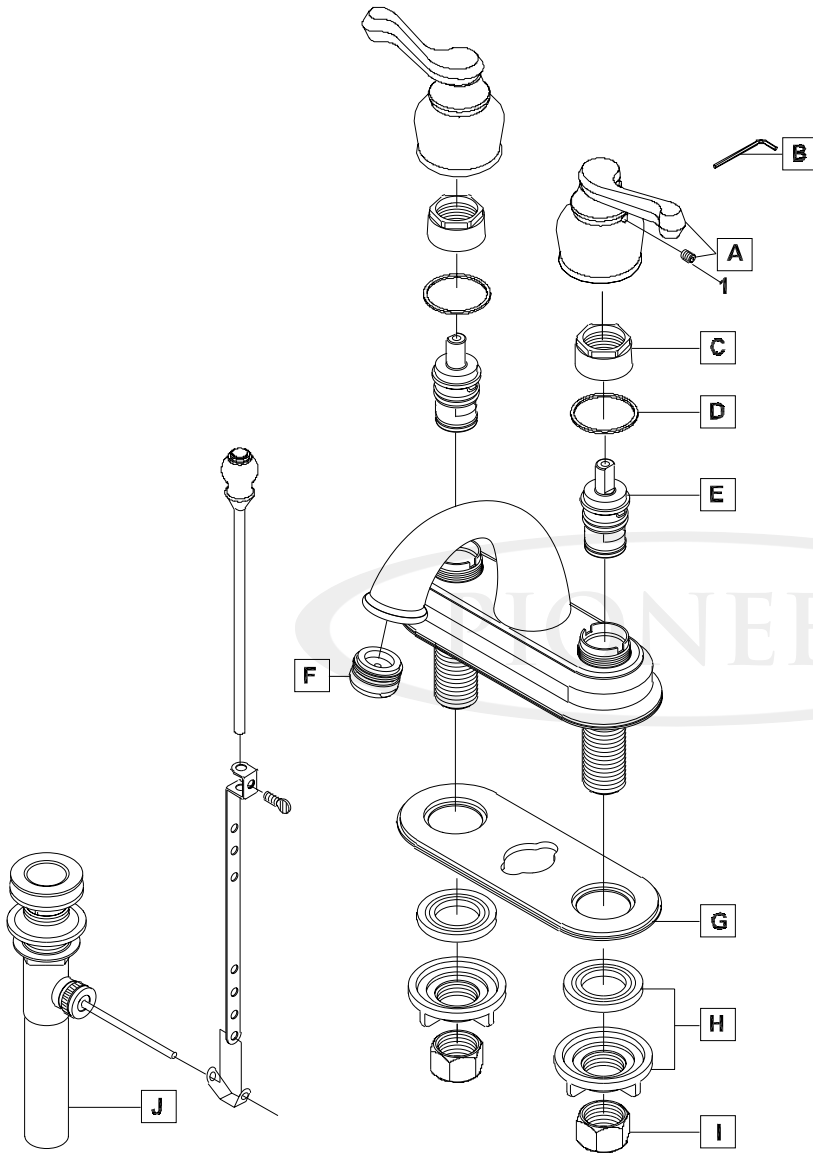
ENGINEERING EXCELLENCE

Pioneer:1-800-338-9468
 Commerce, CA 90040
 www.pioneerind.com
 Pioneer Industries, Inc. © 2013

DMPB3BR230/REV. 12 2012
 Page 1 of 2

	ITEM#	DESCRIPTION
A	X-1900012*	Beaux Lever Handle
B	X-4900024	3/32" Allen Wrench
C	X-4900037	Bonnet Nut
D	X-4900038	Gasket
E	X-390002C,H	Ceramic Disc Cartridge-Cold,Hot
F	X-4900081*	1.5 GPM Aerator
G	X-4300018	Base Gasket
H	X-4900008	Mounting Kit
I	X-4900004	Supply Nut
J	X-6300007*	Brass Pop-Up Drain Assembly
I	X-4900002	3/32" Allen Screw

* Note- Please Specify finish\color code while ordering.



Product Diagram



ENGINEERING EXCELLENCE

Pioneer:1-800-338-9468
 Commerce, CA 90040
 www.pioneerind.com
 Pioneer Industries, Inc. © 2013