



ENGINEERING EXCELLENCE

Premium Series #2PM330 PARTS BREAKDOWN SHEET

DESCRIPTION

- Single Handle Kitchen Faucet
- Metal Lever Handle
- Gooseneck Spout Swivel 360°
- 7-3/8" Reach, 6-3/4" From Deck to Aerator
- Stainless Steel Ball Operation
- 2-Hole 4" to 12" Installation
- SS Flex Connectors

FINISHES

- PC PVD Polished Chrome
- SS PVD Stainless Steel
- BN PVD Brushed Nickel



#2PM330 SHOWN * ADA 

STANDARDS APPLICABLE

- ASME A112.18.1/CSA B125.1
- ANSI A117.1
- ANSI / NSF 61, SECTION 9
- CUPC/ IAPMO LISTED/ ADA COMPLIANT
- CONTAINS NO MORE THAN 0.25% WEIGHTED AVERAGE LEAD CONTENT

FLOW

- Aerator Limited to 1.5 GPM

Model #: _____

Specific Features: _____

Project Name: _____

Submitted For: _____

Model	Description	Finishes	
#2PM330	Single Handle Kitchen Faucet	<input type="checkbox"/> PC	<input type="checkbox"/> Other__



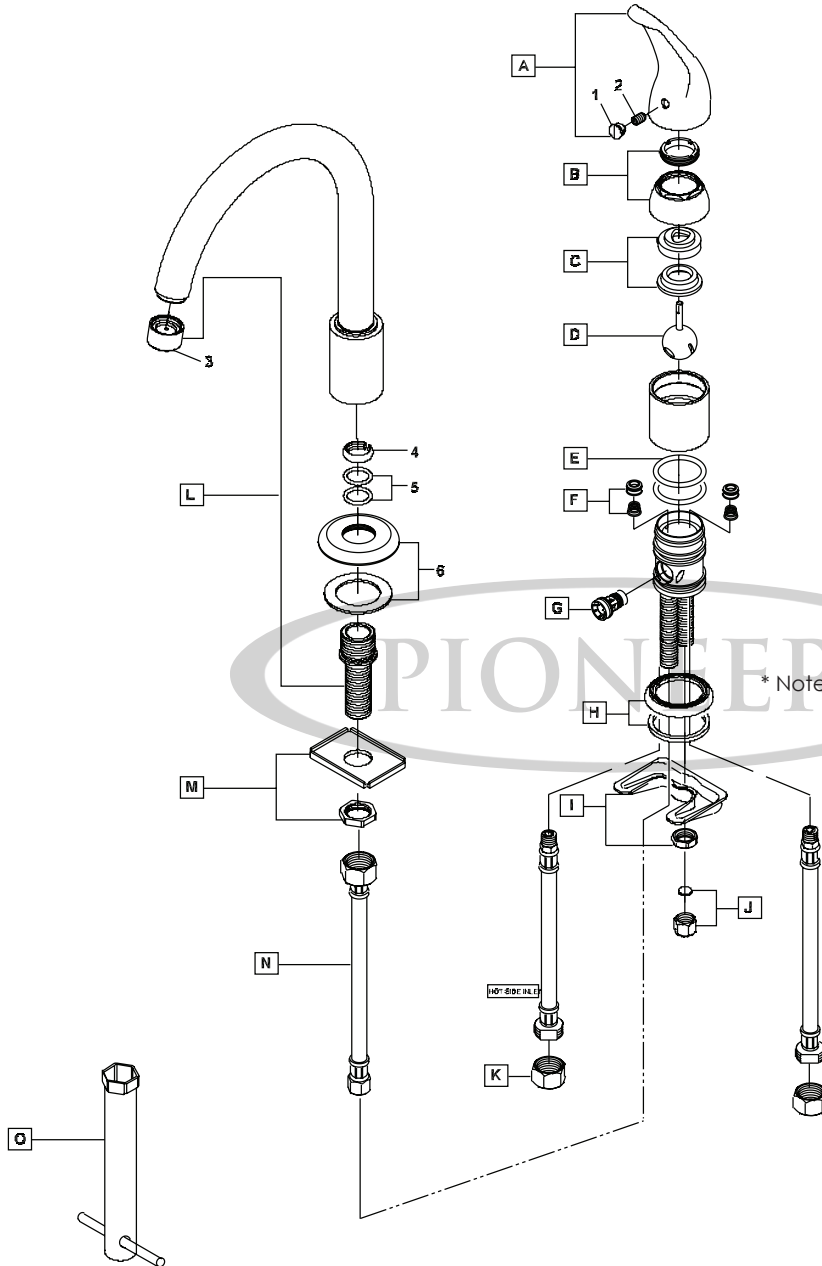
ENGINEERING EXCELLENCE

Pioneer: 1-800-338-9468
 Commerce, CA 90040
 www.pioneerind.com
 Pioneer Industries, Inc. © 2013

DMPB2PM330/REV. 12 2012

Page 1 of 2

ITEM#	DESCRIPTION
A	X-1200004* Premium Lever Handle
B	X-4200045* Cap & Adjusting Ring
C	X-4200046 Cam & Washer
D	X-3200002 SST Ball
E	X-4200047 O-Ring
F	X-4900019 Springs & Seats
G	X-4200007 Diverter Piston
H	X-4200048* Base & Gasket
I	X-5200009 Valve Mounting Kit
J	X-4200049 Cap and Washer
K	X-4900004 Supply Nut
L	X-2200007* Premium Gooseneck Spout
M	X-5200003 Spout Mounting Kit
N	X-4200044 Spout & Valve Hose connector
O	X-5200008 Tool
1	X-4200050 Handle Hole Cover
2	X-4200051 Handle Allen Screw
3	X-4200117* 1.5 GPM Aerator
4	X-4900013 Spout Snap Ring
5	X-4900012 Spout O-Ring
6	X-4200043* Spout Escutcheon & Washer



* Note- Please specify finish/color code while ordering.

Product Diagram



ENGINEERING EXCELLENCE

Pioneer: 1-800-338-9468
 Commerce, CA 90040
 www.pioneerind.com
 Pioneer Industries, Inc. © 2013