



ENGINEERING EXCELLENCE

Premium Series #2PM160

PARTS BREAKDOWN SHEET

DESCRIPTION

- Single Handle Kitchen Faucet
- Premium Lever Handle
- Premium Series 'D' Spout
- 10" Reach, 5-1/8" From Deck to Aerator
- Ceramic Disc Cartridge with Temperature Limit Stop
- 3-Hole 8" Installation

FINISHES

- PC PVD Polished Chrome
- SS PVD Stainless Steel
- BN PVD Brushed Nickel

FLOW

- Aerator Limited to 2.0 gpm



#2PM160 SHOWN * ADA



STANDARDS APPLICABLE

- ASME A112.18.1
- ANSI A117.1
- ANSI / NSF 61, SECTION 9
- CUPC / IAPMO LISTED / ADA COMPLIANT
- CONTAINS NO MORE THAN 0.25% WEIGHTED AVERAGE LEAD CONTENT

Model #: _____

Specific Features: _____

Project Name: _____

Submitted For: _____

Model	Description	Finishes	
#2PM160	Single Handle Kitchen Faucet	PC	Other___



ENGINEERING EXCELLENCE

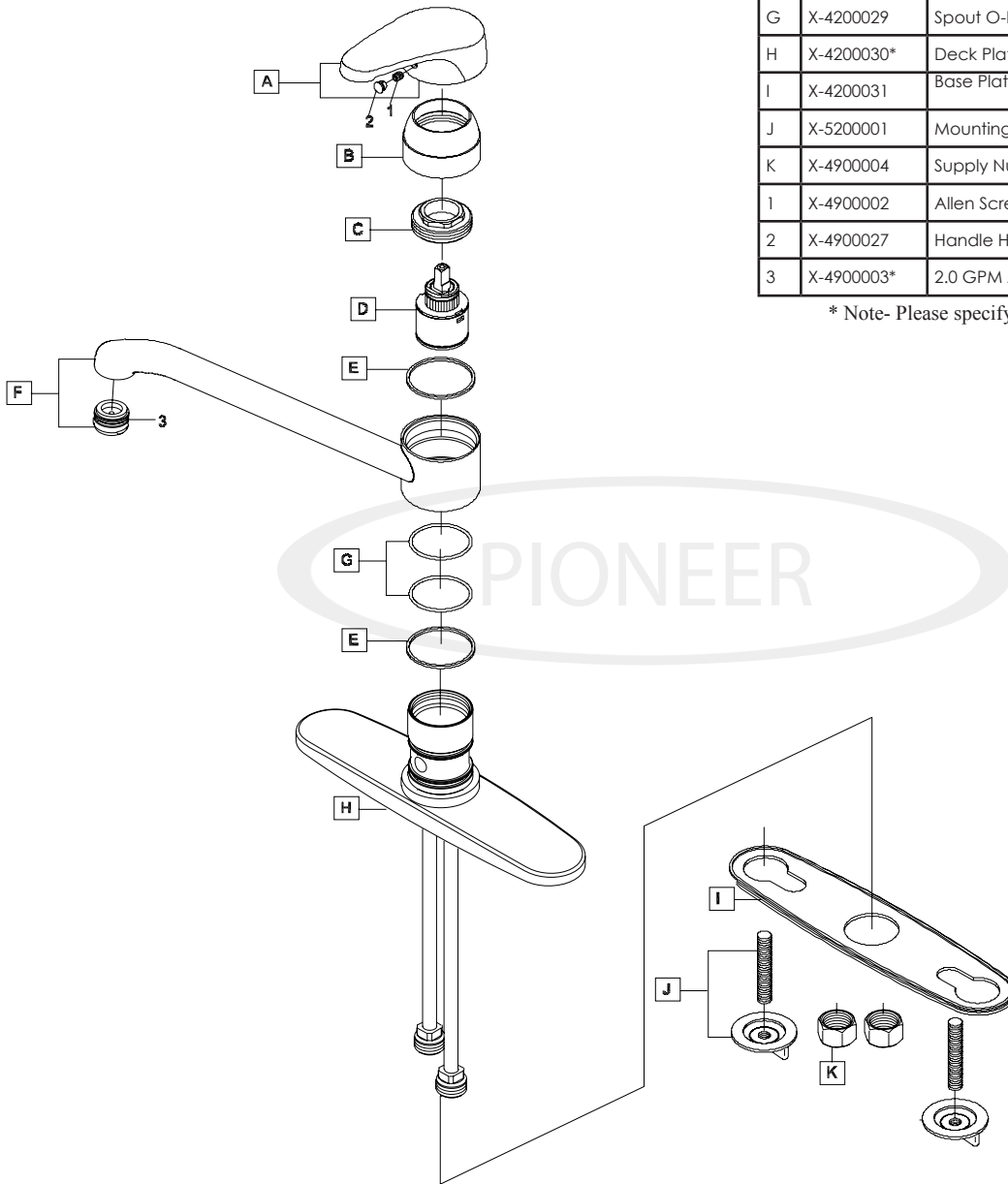
Pioneer: 1-800-338-9468
 Commerce, CA 90040
 www.pioneerind.com
 Pioneer Industries, Inc. © 2009

DMPB2PM160/REV. 12 2009

Page 1 of 2

	ITEM#	DESCRIPTION
A	X-1900006*	Premium Lever Handle
B	X-4200027*	Retainer Cap
C	X-4900028	Retainer Nut
D	X-3900001	Ceramic Disc Cartridge
E	X-4200028	Spout Gasket
F	X-2200006*	Premium Spout
G	X-4200029	Spout O-Ring
H	X-4200030*	Deck Plate
I	X-4200031	Base Plate
J	X-5200001	Mounting Kit
K	X-4900004	Supply Nut
1	X-4900002	Allen Screw
2	X-4900027	Handle Hole Cover
3	X-4900003*	2.0 GPM Aerator

* Note- Please specify finish/color code while ordering.



Product Diagram



ENGINEERING EXCELLENCE

Pioneer: 1-800-338-9468
 Commerce, CA 90040
 www.pioneerind.com
 Pioneer Industries, Inc. © 2009