



# ENGINEERING EXCELLENCE

Motegi Series #2MT170H

PARTS BREAKDOWN SHEET

### DESCRIPTION

- Single Handle Kitchen Faucet
- Metal Lever Handle
- Gooseneck Spout Swivel 360°
- 7-5/8" Reach, 8-1/2" from Deck to Aerator
- Ceramic Disc Cartridge with Temperature Limit Stop
- 1-Hole Installation
- 3/8" Compression SS Flex Connector Lines

### FINISHES

- PC PVD Polished Chrome
- BN PVD Brushed Nickel
- SS PVD Stainless Steel
- PN PVD Polished Nickel
- PB PVD Polished Brass



#2MT170H SHOWN \* ADA 

### STANDARDS APPLICABLE

- ASME A112.18.1
- ANSI A117.1
- ANSI / NSF 61, SECTION 9
- CUPC / IAPMO LISTED / ADA COMPLIANT
- CONTAINS NO MORE THAN 0.25% WEIGHTED AVERAGE LEAD CONTENT

### FLOW

- Aerator Limited to 1.5 GPM

Model #: \_\_\_\_\_

Specific Features: \_\_\_\_\_

Project Name: \_\_\_\_\_

Submitted For: \_\_\_\_\_

Model	Description	Finishes	
#2MT170H	Single Handle Kitchen Faucet	<input type="checkbox"/> PC	<input type="checkbox"/> Other__

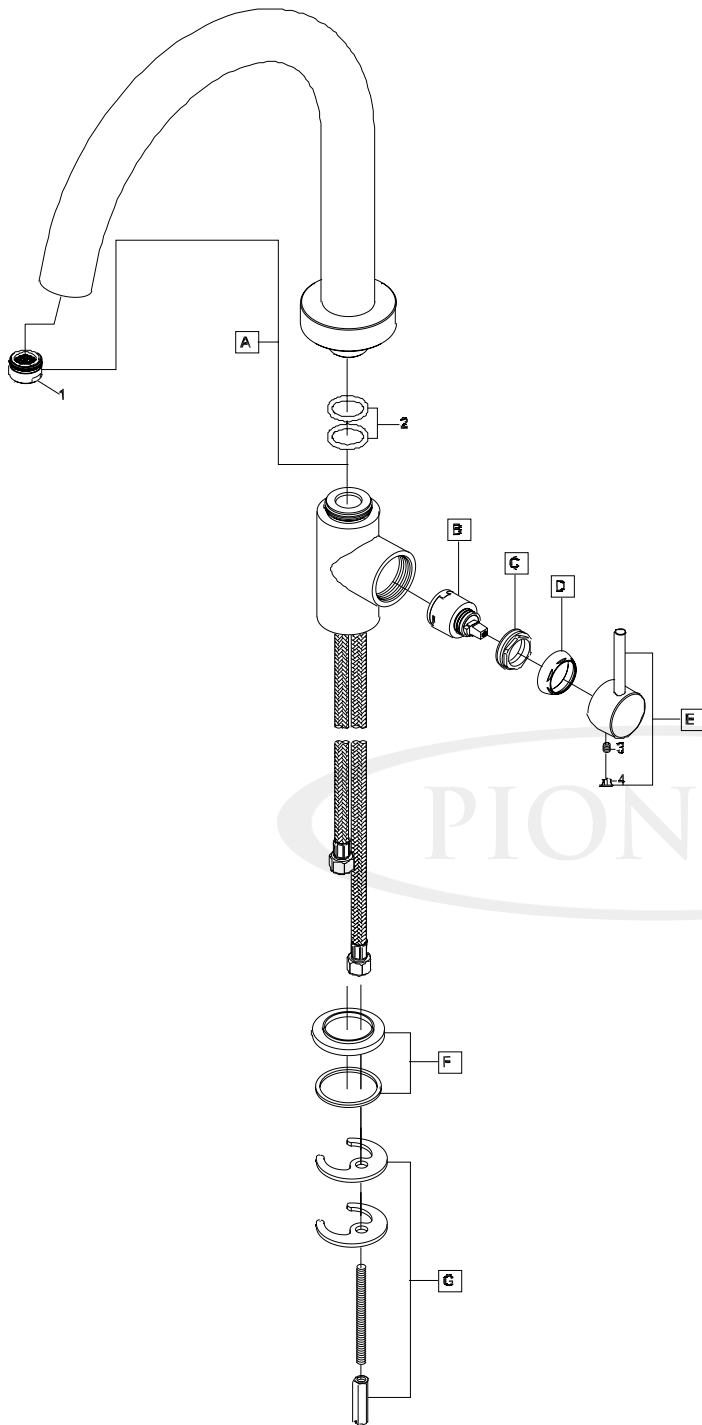


ENGINEERING EXCELLENCE

Pioneer:1-800-338-9468  
 Commerce, CA 90040  
 www.pioneerind.com  
 Pioneer Industries, Inc. © 2013

DMPB2MT170H/REV. 12 2012

Page 1 of 2



	ITEM#	DESCRIPTION
A	X-2200019*	Motegi Series Spout
B	X-3900003	Ceramic Disc Cartridge
C	X-4900018	Retainer Nut
D	X-4900017*	Retainer Sleeve
E	X-1900008*	Motegi Lever Handle
F	X-4300019*	Escutcheon
G	X-5900002	Mounting Kit
1	X-4900089*	1.5 GPM Aerator
2	X-4900070	Spout O-Ring
3	X-4400024	Allen Screw
4	X-4900044*	Hole Cover

\* Note: Please specify finish/color when ordering.

Product Diagram



ENGINEERING EXCELLENCE

Pioneer: 1-800-338-9468  
 Commerce, CA 90040  
 www.pioneerind.com  
 Pioneer Industries, Inc. © 2013