



ENGINEERING EXCELLENCE

Legacy Series #2LG320

SPECIFICATION SHEET

DESCRIPTION

- Two Handle Kitchen Wide-spread Faucet
- ADA Wrist Blade Handles
- Legacy Series Gooseneck Spout
- 8" Reach, 6-5/8" from Deck to Aerator
- Ceramic Disc Cartridges
- 3-Hole 8" to 20" Installation
- Vandal Resistant Aerator

FINISHES

- PC PVD Polished Chrome



#2LG320 SHOWN * ADA



FLOW

- Aerator Limited to 2.0 gpm

STANDARDS APPLICABLE

- ASME A112.18.1
- ANSI A117.1
- ANSI / NSF 61, SECTION 9
- CUPC / IAPMO LISTED / ADA COMPLIANT
- CONTAINS NO MORE THAN 0.25% WEIGHTED AVERAGE LEAD CONTENT

Model #: _____

Specific Features: _____

Project Name: _____

Submitted For: _____

| Model | Description | Finishes | |
|---------|---------------------------|--------------------------|--------------------------------|
| #2LG320 | Two Handle Kitchen Faucet | <input type="radio"/> PC | <input type="radio"/> Other___ |



ENGINEERING EXCELLENCE

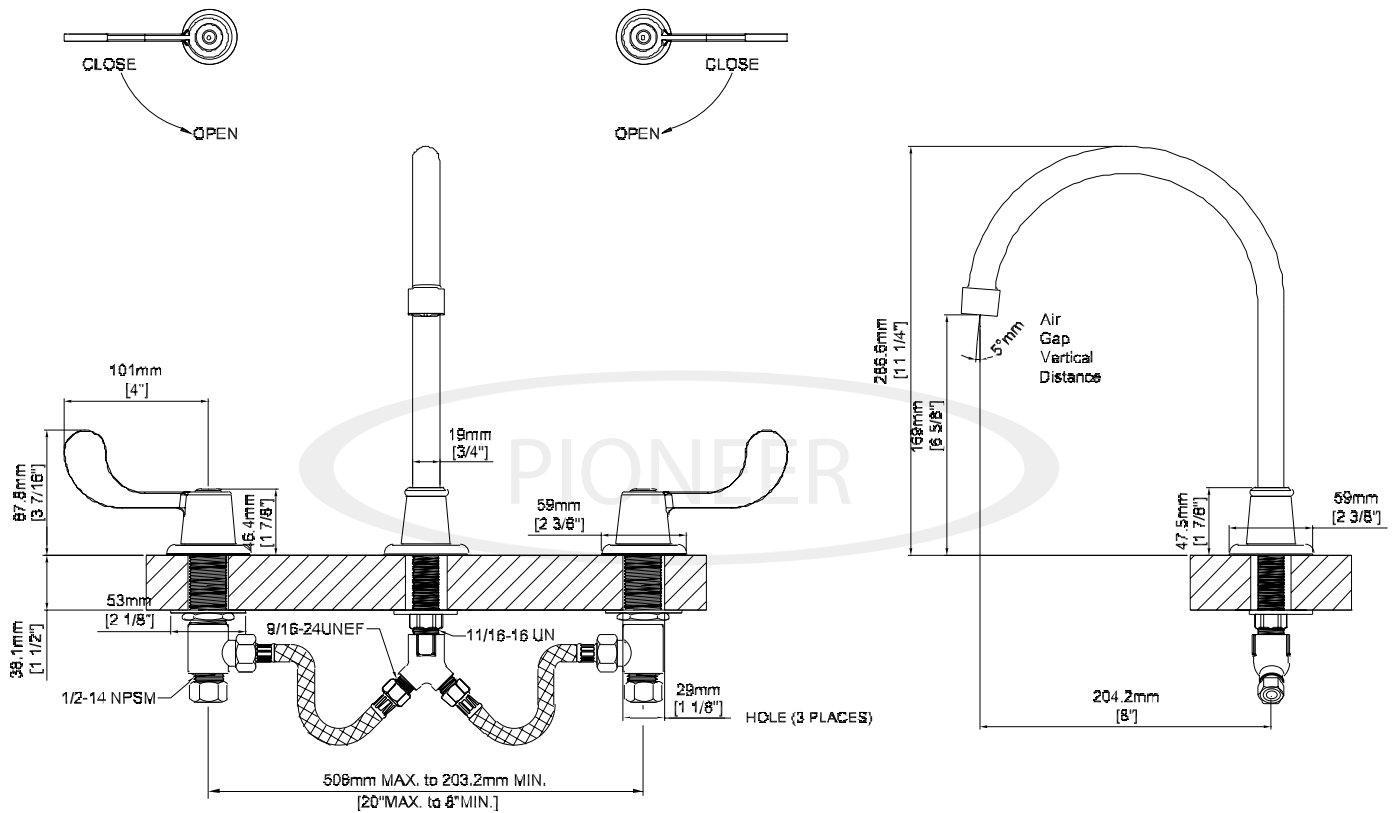
Pioneer:1-800-338-9468
 Commerce, CA 90040
 www.pioneerind.com
 Pioneer Industries, Inc. © 2010

DMSP2LG320/REV. 10 2010
 Page 1 of 2

Installation Note:

Faucet Hole Size :- 1-1/2"

Maximum Deck Thickness:- 1-1/2"



Product Diagram



ENGINEERING EXCELLENCE

Pioneer: 1-800-338-9468

Commerce, CA 90040

www.pioneerind.com

Pioneer Industries, Inc. © 2010