



ENGINEERING EXCELLENCE

Legacy Series #2LG220

PARTS BREAKDOWN SHEET

DESCRIPTION

- Single Handle Pull-Out Kitchen Faucet
- Metal Lever Handle
- Pull-Out Head with 2 Spray Patterns Swivel 180°
- 9" Reach, 7" from Deck to Aerator
- Ceramic Disc Cartridge with Temperature Limit Stop
- 1 or 3 Hole 8" Installation
- Integral Vacuum Breaker
- SS Flex Connectors

FINISHES

- PC PVD Polished Chrome
- SS PVD Stainless Steel
- BN PVD Brushed Nickel
- PB PVD Polished Brass
- ORB Oil Rubbed Bronze



#2LG220 SHOWN * ADA 

STANDARDS APPLICABLE

- ASME A112.18.1
- ANSI A117.1
- ANSI / NSF 61, SECTION 9
- CUPC / IAPMO LISTED / ADA COMPLIANT
- CONTAINS NO MORE THAN 0.25% WEIGHTED AVERAGE LEAD CONTENT

FLOW

- Pull-Out Spray Head Limited to 2.0 GPM

Model #: _____

Specific Features: _____

Project Name: _____

Submitted For: _____

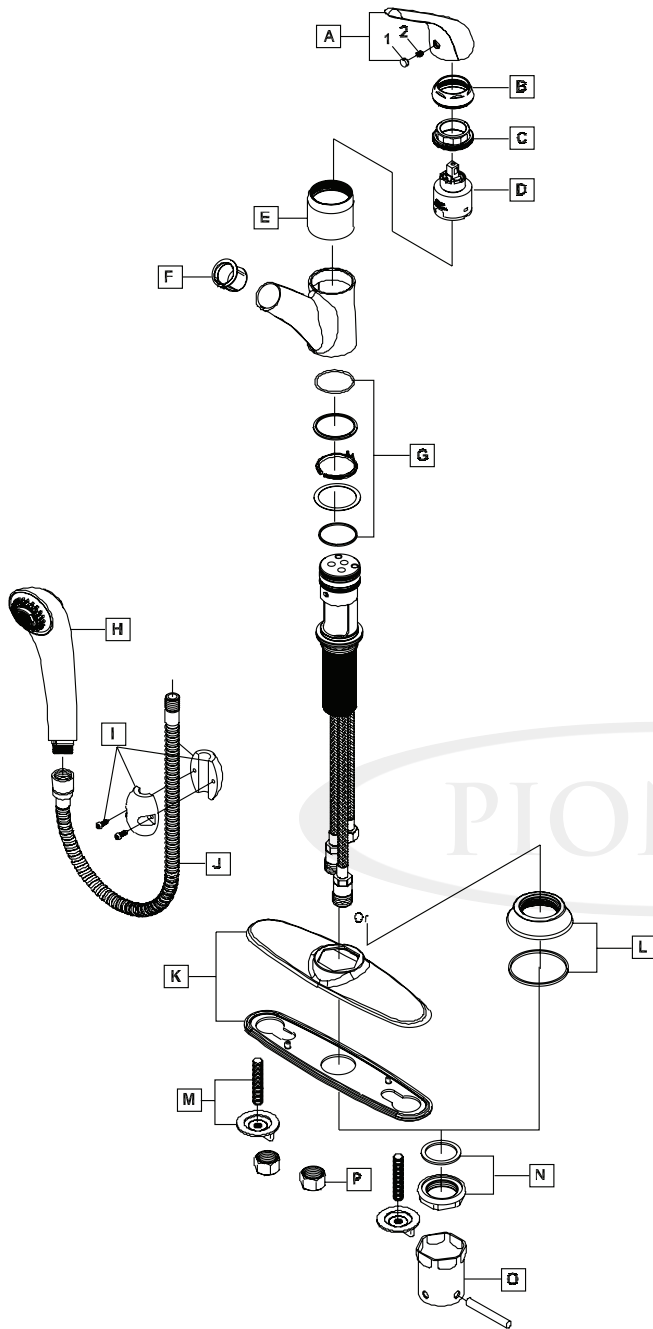
Model	Description	Finishes	
#2LG220	Single Handle Pull-out Kitchen Faucet	<input type="checkbox"/> PC	<input type="checkbox"/> Other___



ENGINEERING EXCELLENCE

Pioneer:1-800-338-9468
 Commerce, CA 90040
 www.pioneerind.com
 Pioneer Industries, Inc. © 2013

DMPB2LG220/REV. 12 2012
 Page 1 of 2



	ITEM#	DESCRIPTION
A	X-1200020*	Legacy Lever Handle
B	X-4200145*	Retainer Cap
C	X-4200146	Retainer Nut
D	X-3200001	Ceramic Disc Cartridge
E	X-4200147*	Retainer Sleeve
F	X-4200148	Hose Support
G	X-4200149	Spout Repair Kit
H	X-4200150*	Pull-Out Spray Head
I	X-4200041	Weight
J	X-4200040*	Spray Head Hose
K	X-4200151*	Deck Plate
L	X-4200152*	Escutcheon
M	X-5200001	Mounting Kit
N	X-5200019	Mounting Kit
O	X-5200020	Mounting Tool
P	X-4900004	Supply Nut
1	X-4900001*	Hole Cover
2	X-4900002	Allen Screw

* Note- Please specify finish/color code while ordering.

Product Diagram



ENGINEERING EXCELLENCE

Pioneer:1-800-338-9468
 Commerce, CA 90040
 www.pioneerind.com
 Pioneer Industries, Inc. © 2013