



# ENGINEERING EXCELLENCE

Legacy Series #2LG171

SPECIFICATION SHEET

### DESCRIPTION

- Single Handle Kitchen Faucet
- Metal Loop Handle
- Spout Swivel 360°
- 9-11/16" Reach, 5-7/8" From Deck to Aerator
- Ceramic Disc Cartridge with Temperature Limit Stop
- 4-Hole 8" Installation
- Side Spray Assembly

### FINISHES

- PC PVD Polished Chrome
- SS PVD Stainless Steel
- BN PVD Brushed Nickel
- PB PVD Polished Brass
- ORB Oil Rubbed Bronze



#2LG171 SHOWN \* ADA 

### STANDARDS APPLICABLE

- ASME A112.18.1
- ANSI A117.1
- ANSI / NSF 61, SECTION 9
- CUPC / IAPMO LISTED / ADA COMPLIANT
- CONTAINS NO MORE THAN 0.25% WEIGHTED AVERAGE LEAD CONTENT

### FLOW

- Aerator Limited to 1.5 GPM

Model #: \_\_\_\_\_

Specific Features: \_\_\_\_\_

Project Name: \_\_\_\_\_

Submitted For: \_\_\_\_\_

Model	Description	Finishes	
#2LG171	Single Handle Kitchen Faucet	<input type="checkbox"/> PC	<input type="checkbox"/> Other__



ENGINEERING EXCELLENCE

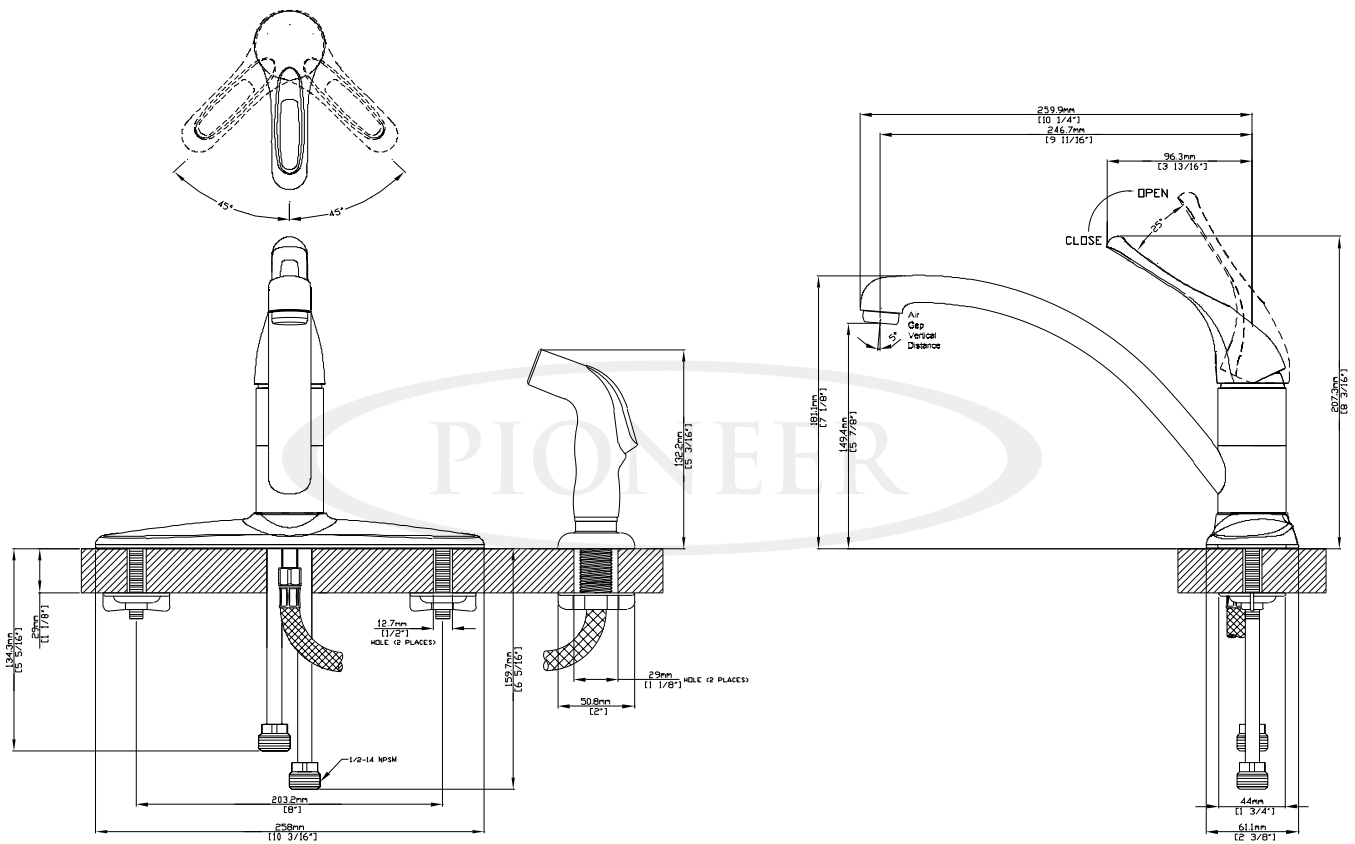
Pioneer: 1-800-338-9468  
 Commerce, CA 90040  
 www.pioneerind.com  
 Pioneer Industries, Inc. © 2013

DMSP2LG171/REV. 12 2012  
 Page 1 of 2

**Installation Note:**

Faucet Hole Size :- 1-1/2"

Maximum Deck Thickness:- 1-1/8"



**Product Diagram**



ENGINEERING EXCELLENCE

Pioneer:1-800-338-9468

Commerce, CA 90040

www.pioneerind.com

Pioneer Industries, Inc. © 2013