



ENGINEERING EXCELLENCE

Legacy Series #2LG160H

SPECIFICATION SHEET

DESCRIPTION

- Single Handle Kitchen Faucet
- Metal Loop Handle
- Spout Swivel 360°
- 9-11/16" Reach, 5-7/8" From Deck to Aerator
- Ceramic Disc Cartridge with Temperature Limit Stop
- 30" SS Flex Connectors with 3/8" Compression Connection Nuts
- 3-Hole 8" Installation

FINISHES

- PC PVD Polished Chrome
- SS PVD Stainless Steel
- BN PVD Brushed Nickel
- PB PVD Polished Brass
- ORB Oil Rubbed Bronze



#2LG160H SHOWN * ADA



STANDARDS APPLICABLE

- ASME A112.18.1
- ANSI A117.1
- ANSI / NSF 61, SECTION 9
- CUPC / IAPMO LISTED / ADA COMPLIANT
- CONTAINS NO MORE THAN 0.25% WEIGHTED AVERAGE LEAD CONTENT

FLOW

- Aerator Limited to 1.5 GPM

Model #: _____

Specific Features: _____

Project Name: _____

Submitted For: _____

Model	Description	Finishes	
#2LG160H	Single Handle Kitchen Faucet	<input type="checkbox"/> PC	<input type="checkbox"/> Other___
#2LG160H-E1.0	Single Handle Kitchen Faucet- 1.0 GPM Flow Rate	<input type="checkbox"/> PC	<input type="checkbox"/> Other___



ENGINEERING EXCELLENCE

Pioneer:1-800-338-9468
 Commerce, CA 90040
 www.pioneerind.com
 Pioneer Industries, Inc. © 2013

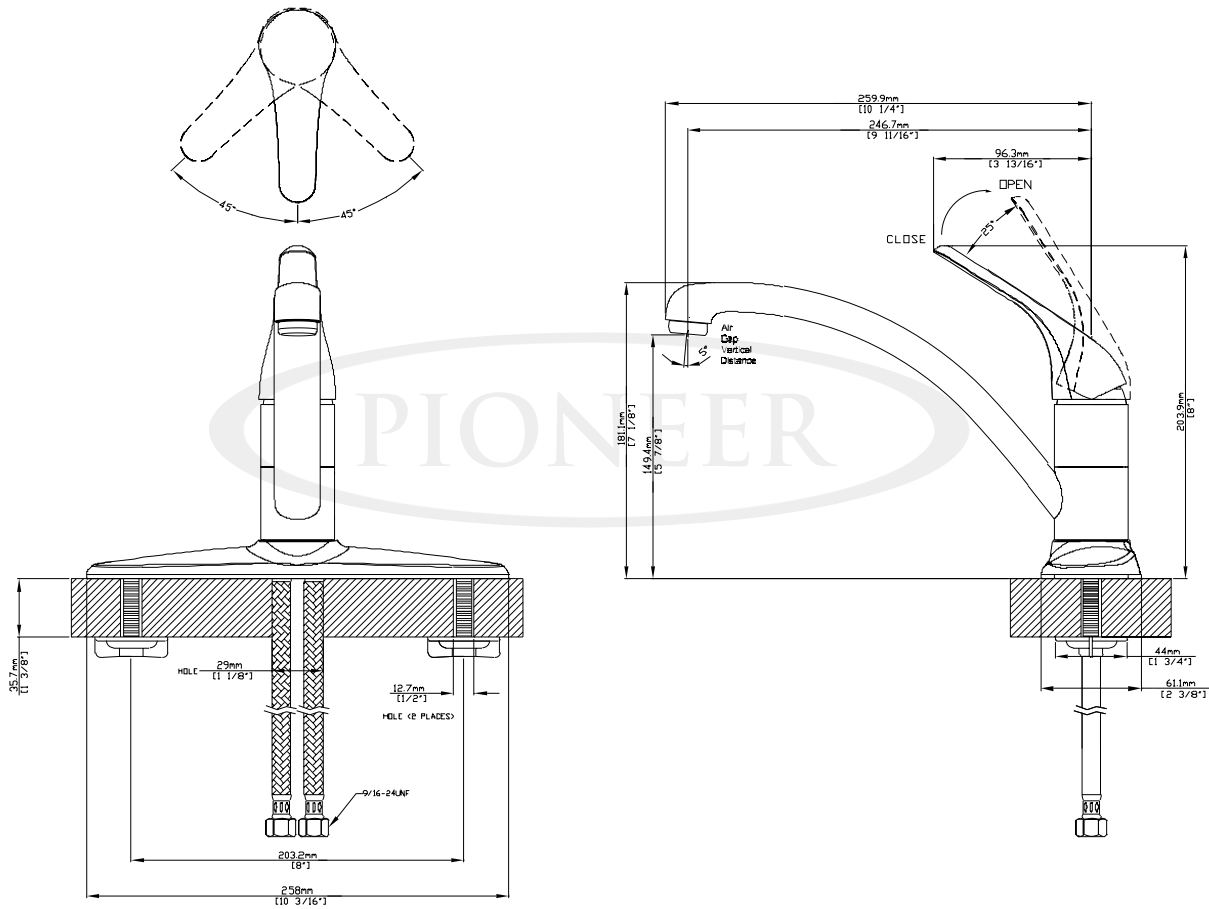
DMSP2LG160H/REV. 12 2012

Page 1 of 2

Installation Note:

Faucet Hole Size :- 1-1/2"

Maximum Deck Thickness:- 1-3/8"



Product Diagram



ENGINEERING EXCELLENCE

Pioneer:1-800-338-9468

Commerce, CA 90040

www.pioneerind.com

Pioneer Industries, Inc. © 2013