



ENGINEERING EXCELLENCE

Del Mar Series #2DM320

SPECIFICATION SHEET

DESCRIPTION

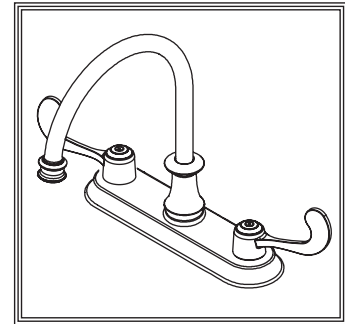
- Two Handle Kitchen Faucet
- ADA Wrist Blade Handles
- Gooseneck Spout Swivel 360°
- 8-1/16" Reach, 7-1/8" From Deck to Aerator
- Ceramic Disc Cartridges
- 3-Hole 8" Installation

FINISHES

- PC PVD Polished Chrome
- BN PVD Brushed Nickel

FLOW

- Aerator Limited to 1.5 gpm



#2DM320 SHOWN * ADA



STANDARDS APPLICABLE

- ASME A112.18.1
- ANSI A117.1
- ANSI / NSF 61, SECTION 9
- ADA COMPLIANT
- CONTAINS NO MORE THAN 0.25% WEIGHTED AVERAGE LEAD CONTENT

Model #: _____

Specific Features: _____

Project Name: _____

Submitted For: _____

Model	Description	Finishes	
#2DM320	Two Handle Kitchen Faucet	<input type="checkbox"/> PC	<input type="checkbox"/> Other___



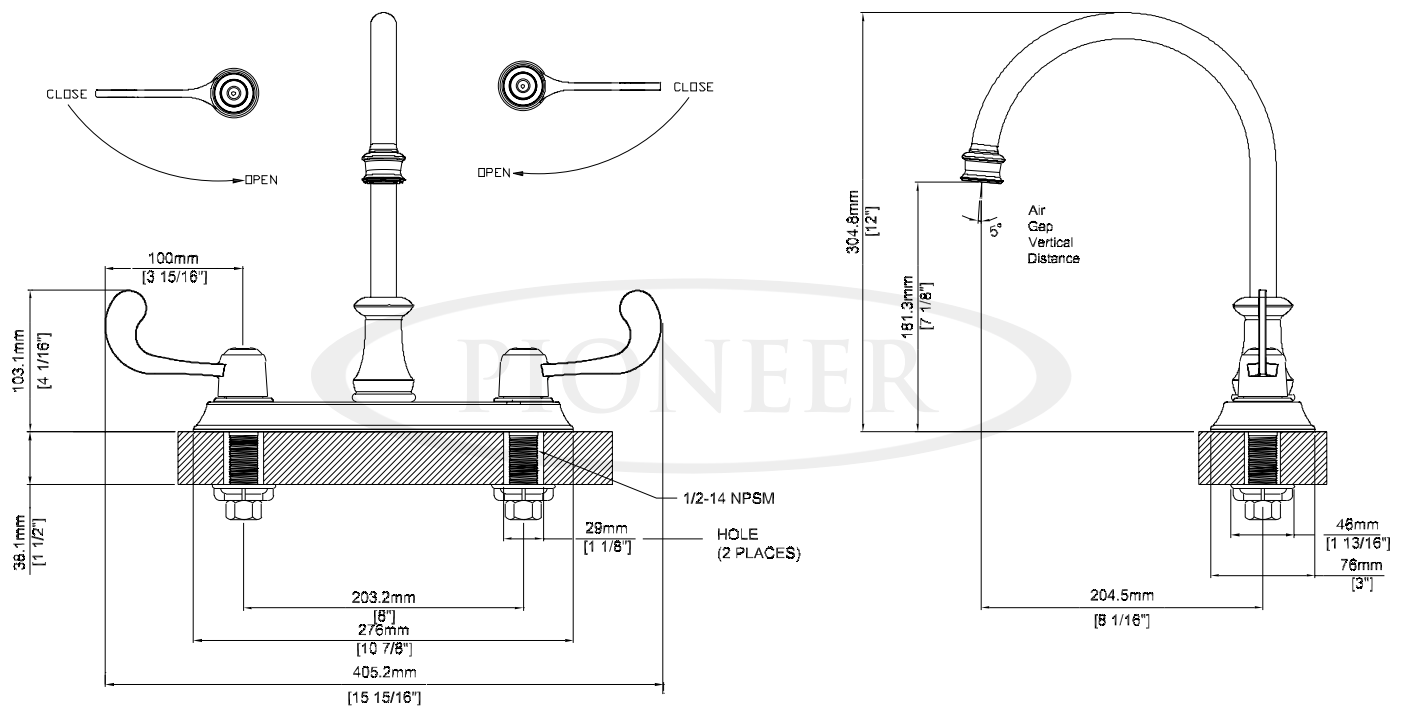
ENGINEERING EXCELLENCE

Pioneer: 1-800-338-9468
 Commerce, CA 90040
 www.pioneerind.com
 Pioneer Industries, Inc. © 2013

DMSP2DM320/REV. 12 2012
 Page 1 of 2

Installation Note:

Faucet Hole Size :- 1-1/2"
 Maximum Deck Thickness:- 1-1/2"



Product Diagram



ENGINEERING EXCELLENCE

Pioneer:1-800-338-9468
 Commerce, CA 90040
 www.pioneerind.com
 Pioneer Industries, Inc. © 2013