



ENGINEERING EXCELLENCE

Calla Collection #2CL330

SPECIFICATION SHEET

DESCRIPTION

- Single Handle Kitchen Faucet
- Metal Lever Handle
- Spout Swivel 360°
- 6-3/4" Reach, 10-3/8" from Deck to Aerator
- Ceramic Disc Cartridge with Temperature Limit Stop
- 2-Hole 4" to 23" Installation

FINISHES

- PC PVD Polished Chrome
- BN PVD Brushed Nickel
- SS PVD Stainless Steel
- PN PVD Polished Nickel



STANDARDS APPLICABLE

- ASME A112.18.1
- ANSI A117.1
- ANSI / NSF 61, SECTION 9
- CUPC / IAPMO LISTED / ADA COMPLIANT
- CONTAINS NO MORE THAN 0.25% WEIGHTED AVERAGE LEAD CONTENT

FLOW

- Aerator Limited to 1.5 GPM

#2CL330 SHOWN * ADA 

Model #: _____

Specific Features: _____

Project Name: _____

Submitted For: _____

Model	Description	Finishes	
#2CL330	Single Handle Kitchen Faucet	<input type="checkbox"/> PC	<input type="checkbox"/> Other__



ENGINEERING EXCELLENCE

Pioneer: 1-800-338-9468
 Commerce, CA 90040
 www.pioneerind.com
 Pioneer Industries, Inc. © 2013

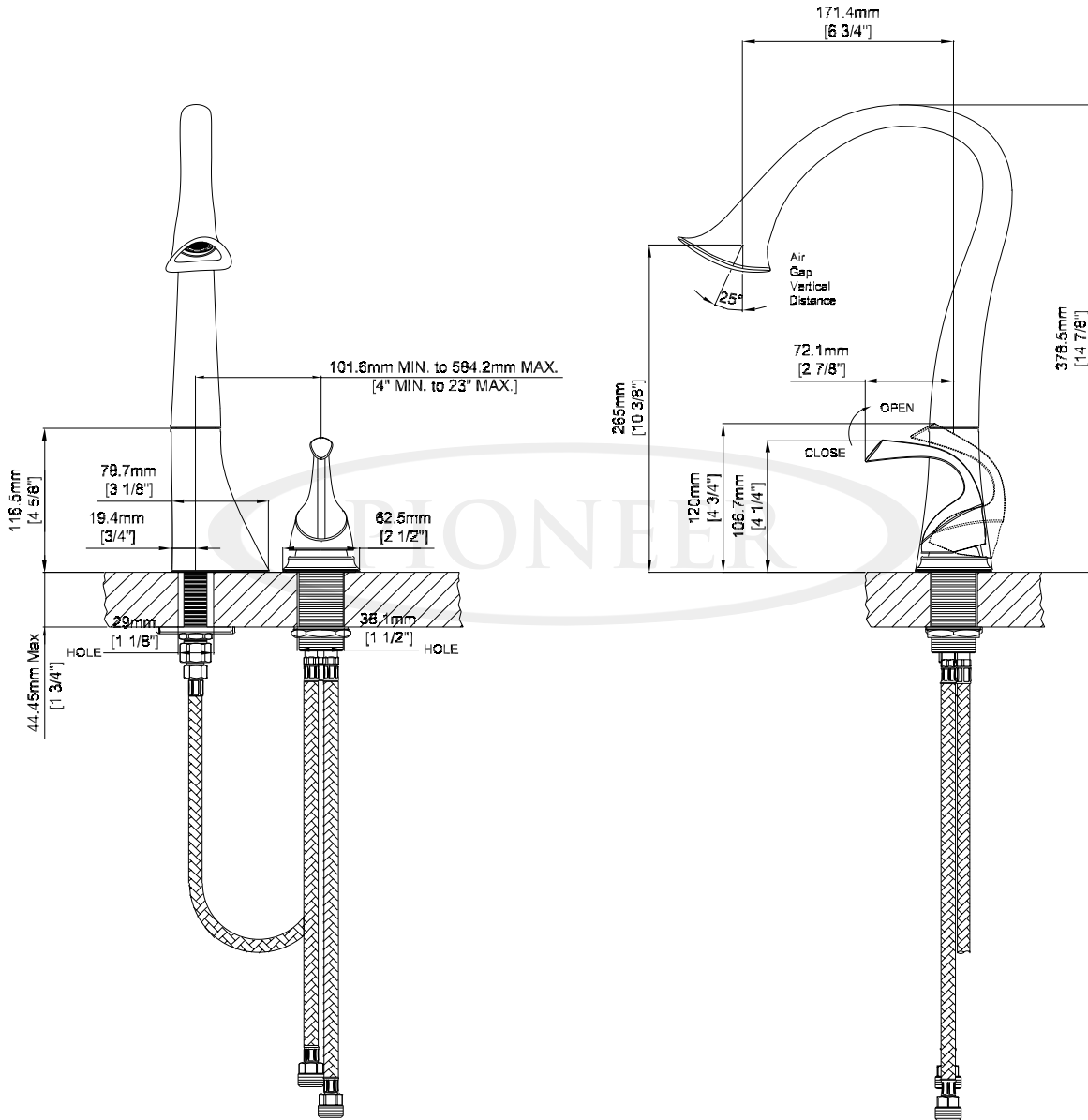
DMSP2CL330/REV. 12 2012

Page 1 of 2

Installation Note:

Faucet Hole Size:- 1-1/2"

Maximum Deck Thickness:- 1-3/4"



Product Diagram



ENGINEERING EXCELLENCE

Pioneer:1-800-338-9468

Commerce, CA 90040

www.pioneerind.com

Pioneer Industries, Inc. © 2013