



# ENGINEERING EXCELLENCE

Brentwood Series #2BR221

PARTS BREAKDOWN SHEET

### DESCRIPTION

- Two Handle Kitchen Wide-spread Faucet
- Porcelain Cross Handles
- Hi-Arc Gooseneck Spout Swivel 360°
- 8-1/16" Reach, 7-1/8" from Deck to Aerator
- Ceramic Disc Cartridges
- 4-Hole 6" to 16" Installation
- Side Spray Assembly

### FINISHES

- PC PVD Polished Chrome
- BN PVD Brushed Nickel
- PN PVD Polished Nickel
- PB PVD Polished Brass
- ORB Oil Rubbed Bronze



#2BR221 SHOWN

### STANDARDS APPLICABLE

- ASME A112.18.1
- ANSI A117.1
- ANSI / NSF 61, SECTION 9
- CUPC / IAPMO LISTED
- CONTAINS NO MORE THAN 0.25% WEIGHTED AVERAGE LEAD CONTENT

### FLOW

- Aerator Limited to 1.5 GPM

Model #: \_\_\_\_\_

Specific Features: \_\_\_\_\_

Project Name: \_\_\_\_\_

Submitted For: \_\_\_\_\_

Model	Description	Finishes
#2BR221	Two Handle Kitchen Widespread Faucet	<input type="checkbox"/> PC <input type="checkbox"/> Other ____



ENGINEERING EXCELLENCE

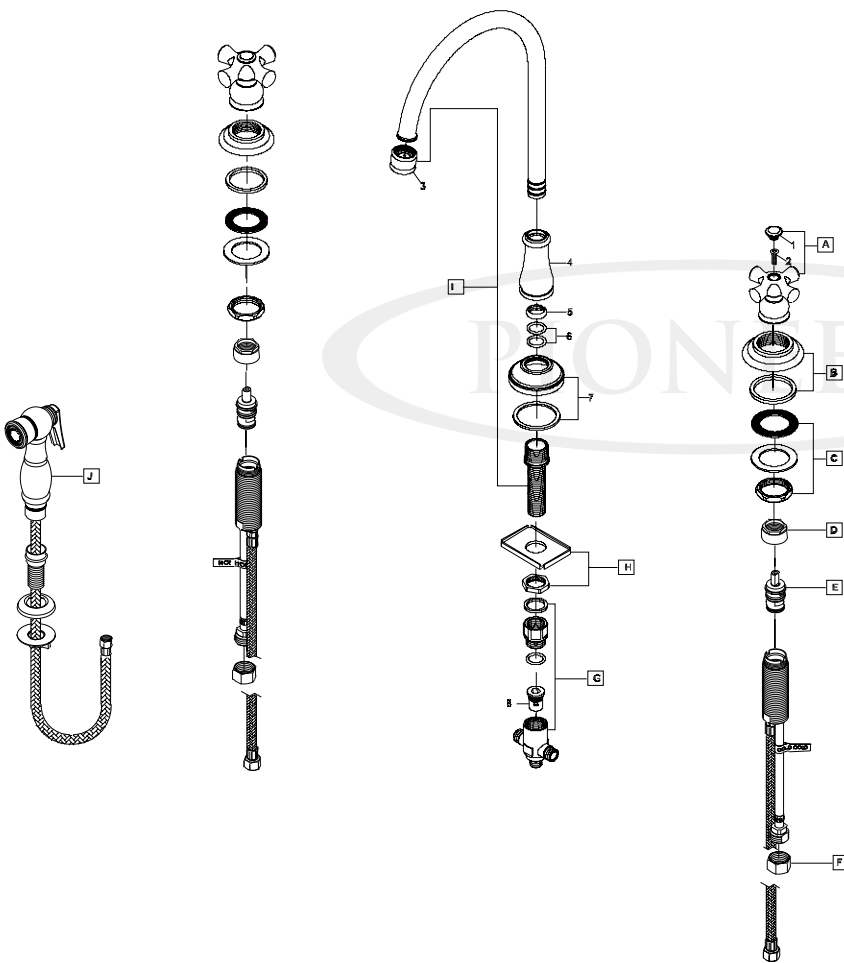
Pioneer: 1-800-338-9468  
 Commerce, CA 90040  
 www.pioneerind.com  
 Pioneer Industries, Inc. © 2013

DMPB2BR221/REV. 12 2012

Page 1 of 2

	ITEM#	DESCRIPTION
A	X-1900011C,H*	Porcelain Cross Handle-Cold,Hot
B	X-4900063*	Valve Escutcheon
C	X-5900001	Mounting Kit
D	X-4900022	Bonnet Nut
E	X-3900002C,H	Ceramic Disc Cartridge-Cold,Hot
F	X-4900004	Supply Nut
G	X-4200025	Cross Connector
H	X-5200003	Spout Mounting Kit
I	X-2200020*	Gooseneck Spout
J	X-4200059*	Side Spray Assembly
1	X-4900062C,H*	Button-Cold,Hot
2	X-4900061	Brentwood Handle Screw
3	X-4200129*	1.5 GPM Aerator
4	X-4200077*	Spout Bonnet Nut
5	X-4900013	Spout Snap Ring
6	X-4900012	Spout O-Ring
7	X-4200078*	Spout Escutcheon
8	X-4200016	Diverter Piston

\* Note- Please Specify finish\color code while ordering.



Product Diagram



ENGINEERING EXCELLENCE

Pioneer:1-800-338-9468  
 Commerce, CA 90040  
 www.pioneerind.com  
 Pioneer Industries, Inc. © 2013