



## ENGINEERING EXCELLENCE

Brentwood Series #2BR220

SPECIFICATION SHEET

### DESCRIPTION

- Two Handle Kitchen Wide-spread Faucet
- Porcelain Cross Handles
- Hi-Arc Gooseneck Spout Swivel 360°
- 8-1/16" Reach, 7-1/8" from Deck to Aerator
- Ceramic Disc Cartridges
- 3-Hole 6" to 16" Installation

### FINISHES

- PC PVD Polished Chrome
- BN PVD Brushed Nickel
- PN PVD Polished Nickel
- PB PVD Polished Brass
- ORB Oil Rubbed Bronze



#2BR220 SHOWN

### STANDARDS APPLICABLE

- ASME A112.18.1
- ANSI / NSF 61, SECTION 9
- CUPC / IAPMO LISTED
- CONTAINS NO MORE THAN 0.25% WEIGHTED AVERAGE LEAD CONTENT

### FLOW

- Aerator Limited to 1.5 GPM

Model #: \_\_\_\_\_

Specific Features: \_\_\_\_\_

Project Name: \_\_\_\_\_

Submitted For: \_\_\_\_\_

Model	Description	Finishes
#2BR220	Two Handle Kitchen Widespread Faucet	<input type="checkbox"/> PC <input type="checkbox"/> Other____



ENGINEERING EXCELLENCE

Pioneer:1-800-338-9468  
Commerce, CA 90040  
www.pioneerind.com

Pioneer Industries, Inc. © 2013

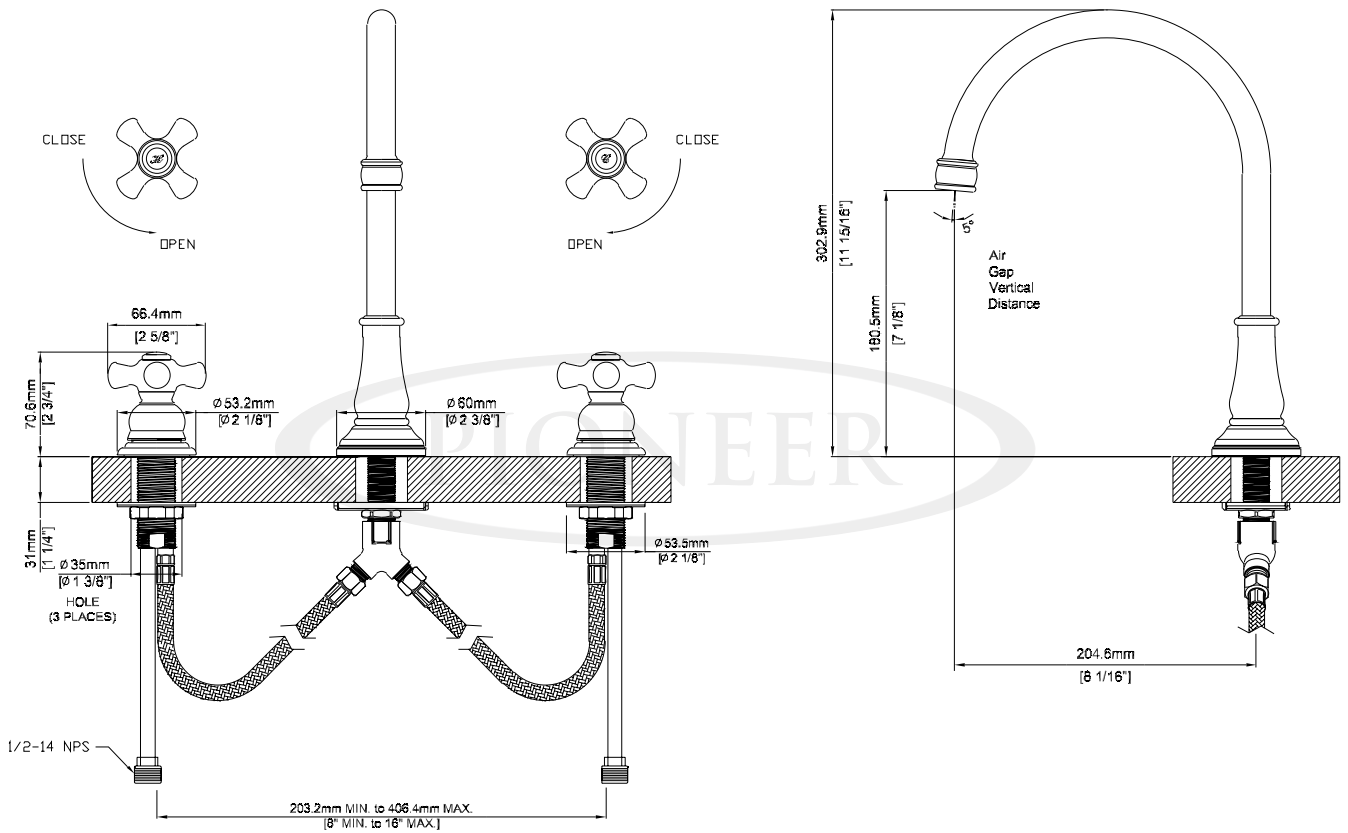
DMSP2BR220/REV. 12 2012

Page 1 of 2

**Installation Note:**

Faucet Hole Size:- 1-1/2"

Maximum Deck Thickness:- 1-1/4"



**Product Diagram**



ENGINEERING EXCELLENCE

Pioneer:1-800-338-9468

Commerce, CA 90040

www.pioneerind.com

Pioneer Industries, Inc. © 2013