



ENGINEERING EXCELLENCE

Brentwood Series #2BR130

SPECIFICATION SHEET

DESCRIPTION

- Two Handle Kitchen Faucet
- Beaux Lever Handles
- Hi-Arc Gooseneck Spout Swivel 360°
- 8-1/16" Reach, 7-5/16" from Deck to Aerator
- Ceramic Disc Cartridges
- 3-Hole 8" Installation

FINISHES

- PC PVD Polished Chrome
- BN PVD Brushed Nickel
- PN PVD Polished Nickel
- PB PVD Polished Brass
- ORB Oil Rubbed Bronze



#2BR130 SHOWN * ADA 

STANDARDS APPLICABLE

- ASME A112.18.1
- ANSI A117.1
- ANSI / NSF 61, SECTION 9
- CUPC / IAPMO LISTED /ADA COMPLIANT
- CONTAINS NO MORE THAN 0.25% WEIGHTED AVERAGE LEAD CONTENT

FLOW

- Aerator Limited to 1.5 GPM

Model #: _____

Specific Features: _____

Project Name: _____

Submitted For: _____

Model	Description	Finishes
#2BR130	Two Handle Kitchen Faucet	<input type="checkbox"/> PC <input type="checkbox"/> Other ____



ENGINEERING EXCELLENCE

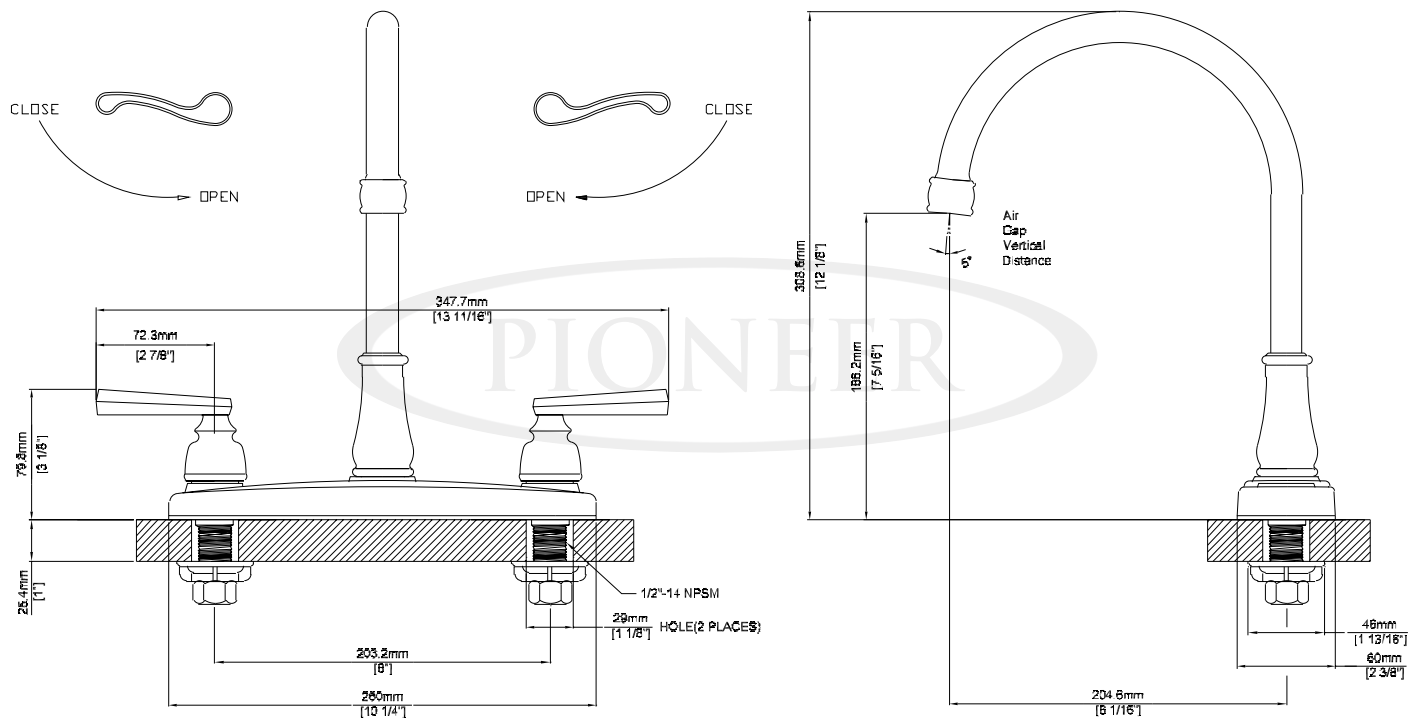
Pioneer:1-800-338-9468
 Commerce, CA 90040
 www.pioneerind.com
 Pioneer Industries, Inc. © 2013

DMSP2BR130/REV. 12 2012
 Page 1 of 2

Installation Note:

Faucet Hole Size:- 1-1/2"

Maximum Deck Thickness:- 1" (Shank Extension available which extends shank by 1/2")



Product Diagram



ENGINEERING EXCELLENCE

Pioneer: 1-800-338-9468

Commerce, CA 90040

www.pioneerind.com

Pioneer Industries, Inc. © 2013