



ENGINEERING EXCELLENCE

Brentwood Series #2BR100

PARTS BREAKDOWN SHEET

DESCRIPTION

- Two Handle Kitchen Faucet
- Metal Lever Handles
- Hi-Arc Gooseneck Spout Swivel 360°
- 8-1/16" Reach, 7-5/16" from Deck to Aerator
- Ceramic Disc Cartridges
- 3-Hole 8" Installation

FINISHES

- PC PVD Polished Chrome
- BN PVD Brushed Nickel
- PN PVD Polished Nickel
- PB PVD Polished Brass
- ORB Oil Rubbed Bronze



STANDARDS APPLICABLE

- ASME A112.18.1
- ANSI / NSF 61, SECTION 9
- CUPC / IAPMO LISTED / ADA COMPLIANT
- CONTAINS NO MORE THAN 0.25% WEIGHTED AVERAGE LEAD CONTENT

FLOW

- Aerator Limited to 1.5 GPM

#2BR100 SHOWN * ADA

Model #: _____

Specific Features: _____

Project Name: _____

Submitted For: _____

Model	Description	Finishes
#2BR100	Two Handle Kitchen Faucet	<input type="checkbox"/> PC <input type="checkbox"/> Other _____



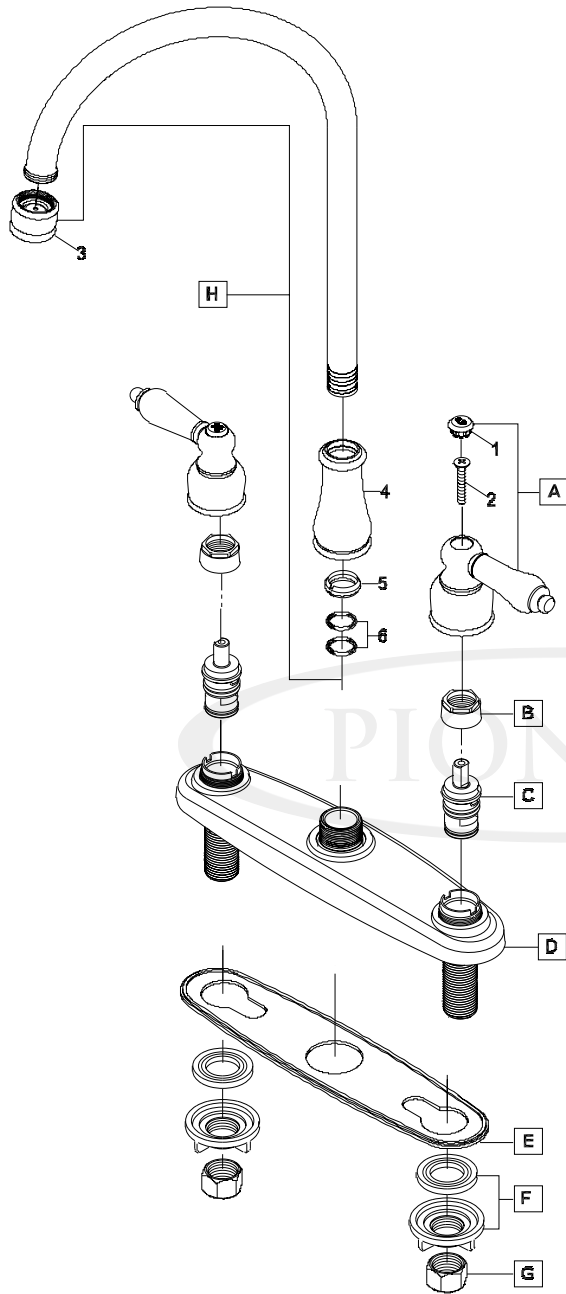
ENGINEERING EXCELLENCE

Pioneer:1-800-338-9468
 Commerce, CA 90040
 www.pioneerind.com
 Pioneer Industries, Inc. © 2013

DMPB2BR100/REV. 12 2012
 Page 1 of 2

	ITEM#	DESCRIPTION
A	X-1900009C,H*	Lever Handle-Cold,Hot
B	X-4900111	Bonnet Nut
C	X-3900002C,H	Ceramic Disc Cartridge-Cold,Hot
D	X-4200081*	Deck Plate
E	X-4200080	Base Gasket
F	X-4900008	Mounting Kit
G	X-4900004	Supply Nut
H	X-2200021*	Gooseneck Spout
1	X-4900042C,H*	Button-Cold,Hot
2	X-4900061	Brentwood Handle Screw
3	X-4200129*	1.5 GPM Aerator
4	X-4200077*	Spout Bonnet Nut
5	X-4900013	Spout Snap Ring
6	X-4900012	Spout O-Ring

* Note- Please Specify finish\color code while ordering.



Product Diagram



ENGINEERING EXCELLENCE

Pioneer:1-800-338-9468
 Commerce, CA 90040
 www.pioneerind.com
 Pioneer Industries, Inc. © 2013