



ENGINEERING EXCELLENCE

Bellaire Series #2BL220

PARTS BREAKDOWN SHEET

DESCRIPTION

- Single Handle Pull-Out Kitchen Faucet
- Metal Lever Handles
- Pull-Out Head with 2 Spray Patterns Swivel 180°
- 8-5/8" Reach, 7-1/2" from Deck to Aerator
- Ceramic Disc Cartridge with Temperature Limit Stop
- 1 or 3 Hole 8" Installation
- Integral Vacuum Breaker
- SS Flex Connectors

FINISHES

- PC PVD Polished Chrome
- BN PVD Brushed Nickel
- ORB Oil Rubbed Bronze
- SS PVD Stainless Steel
- PN PVD Polished Nickel
- PB PVD Polished Brass



#2BL220 SHOWN * ADA 

STANDARDS APPLICABLE

- ASME A112.18.1
- ANSI A117.1
- ANSI / NSF 61, SECTION 9
- CUPC / IAPMO LISTED / ADA COMPLIANT
- CONTAINS NO MORE THAN 0.25% WEIGHTED AVERAGE LEAD CONTENT

FLOW

- Spray Head Limited to 2.0 GPM

Model #: _____

Specific Features: _____

Project Name: _____

Submitted For: _____

| Model | Description | Finishes | |
|---------|---------------------------------------|-----------------------------|-------------------------------------|
| #2BL220 | Single Handle Pull-Out Kitchen Faucet | <input type="checkbox"/> PC | <input type="checkbox"/> Other ____ |



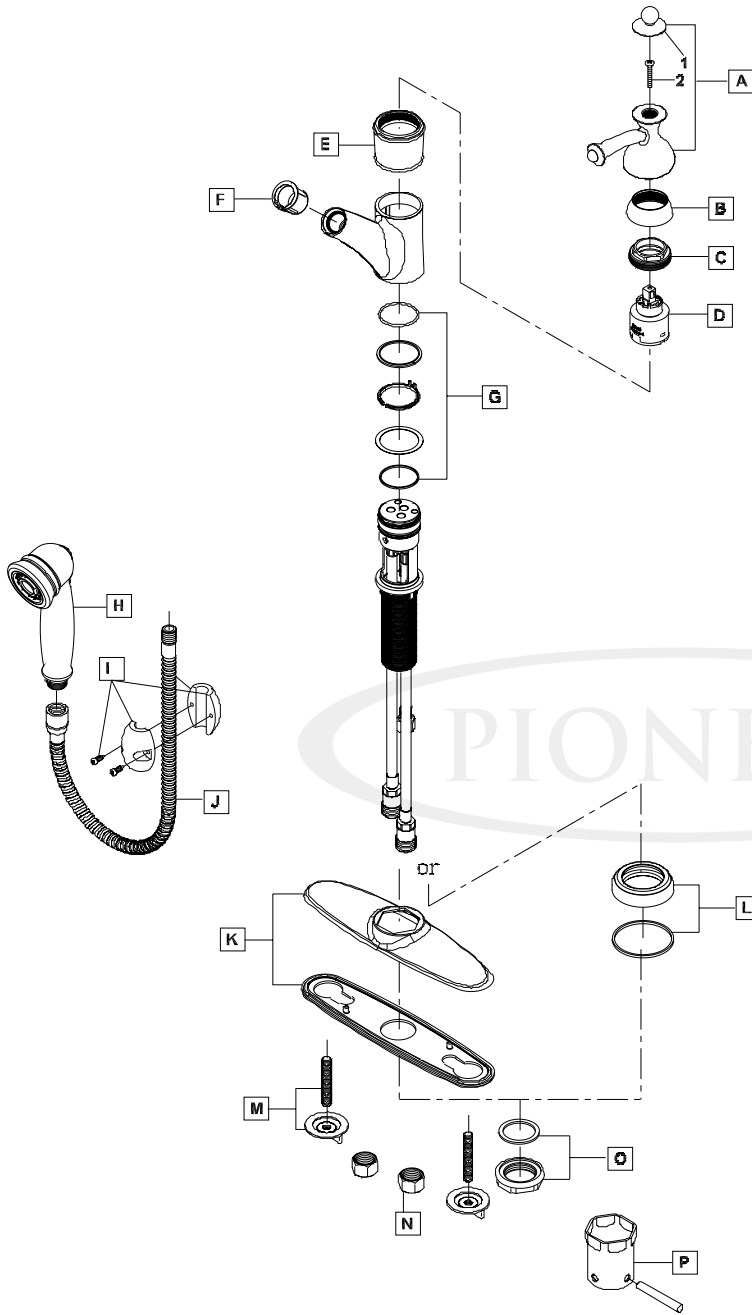
ENGINEERING EXCELLENCE

Pioneer: 1-800-338-9468
 Commerce, CA 90040
 www.pioneerind.com
 Pioneer Industries, Inc. © 2012

DMPB2BL220/REV. 04 2012
 Page 1 of 2

| | ITEM# | DESCRIPTION |
|---|------------|------------------------|
| A | X-1200022* | Bellaire Lever Handle |
| B | X-4200034* | Retainer Cap |
| C | X-4200035 | Retainer Nut |
| D | X-3200001 | Ceramic Disc Cartridge |
| E | X-4200157* | Retainer Sleeve |
| F | X-4200148 | Hose Support |
| G | X-4200149 | Spout Repair Kit |
| H | X-4200165* | Pull-Out Spray Head |
| I | X-4200041 | Weight |
| J | X-4200040* | Spray Head Hose |
| K | X-4200151* | Deck Plate |
| L | X-4200159* | Escutcheon |
| M | X-5200006 | Mounting Kit |
| N | X-4900004 | Supply Nut |
| O | X-5200019 | Mounting Kit |
| P | X-5200020 | Mounting Tool |
| 1 | X-4900110* | Hole Cover |
| 2 | X-4200160 | Screw |

* Note- Please specify finish/color code while ordering.



Product Diagram



ENGINEERING EXCELLENCE

Pioneer: 1-800-338-9468
 Commerce, CA 90040
 www.pioneerind.com
 Pioneer Industries, Inc. © 2009