



ENGINEERING EXCELLENCE

## Home Owner's Guide

Single Handle Tub Or Shower Trim Set:

- 4MT200TX
- 4MT400TX
- 4MT300TX



This product meets the following standards:

- ASME A112.18.1
- ANSI A117.1
- CUPC / IAPMO LISTED / ADA COMPLIANT

## Thank You For Choosing Pioneer Products

Thank you for purchasing this quality product.

Pioneer products are rigorously tested to provide long service under normal conditions. Prior to installation, familiarize yourself with this products diagram.

Make sure that you have all of the illustrated parts for your Pioneer product before installation.

## Care Instructions

Pioneer products are designed and engineered under strict quality standards. The Pioneer Collection of PVD finishes feature a strong and durable surface that will keep your fixture looking exquisite for a lifetime.

To ensure the beautiful appearance of your Pioneer product, please adhere to the following simple care instructions:

- Use clean water to clean the surface of the faucet and dry with a 100% cotton cloth.
- You may also use any non-abrasive wax, along with a soft cotton cloth to brighten the surface and provide future protection of the finish.
- Do not use detergents, harsh cleaners, abrasive cleaners, cloths, and cleaning agents.

## PIONEER INDUSTRIES, INC. LIMITED LIFETIME WARRANTY \*

Pioneer Industries, Inc. warrants its product to the original consumer purchaser to be free from defects in material and workmanship for as long as the consumer purchaser owns it. Dated proof of purchase must accompany all warranty claims. PVD finishes carry a lifetime warranty in residential service. This warranty applies only to Pioneer faucets sold after 1/1/2006.

Pioneer Industries, Inc. will replace, free of charge, to the original consumer purchaser, any and all parts that prove defective under normal installation, use, and service. This warranty does not cover damage or defects due to normal wear and tear, misuse, abuse, accident, or improper installation. Replacement parts can be obtained from your local dealer or directly from Pioneer Industries. Pioneer Industries, Inc. recommends using a certified plumber for all faucet installation and repair.

This warranty is limited to replacement of defective parts only. Incidental and consequential damages, labor charges, repair, or replacement costs are expressly excluded. Some states do not allow the exclusion or limitation of incidental or consequential damages, so the above limitation may not apply to you. This warranty gives you specific legal rights, as you may have other rights of which vary from state to state. Installation or maintenance and cleaning must be in compliance with instructions furnished with every Pioneer product. If you find a problem with your product, please immediately contact your nearest Pioneer Industries, Inc. dealer or sales representative.

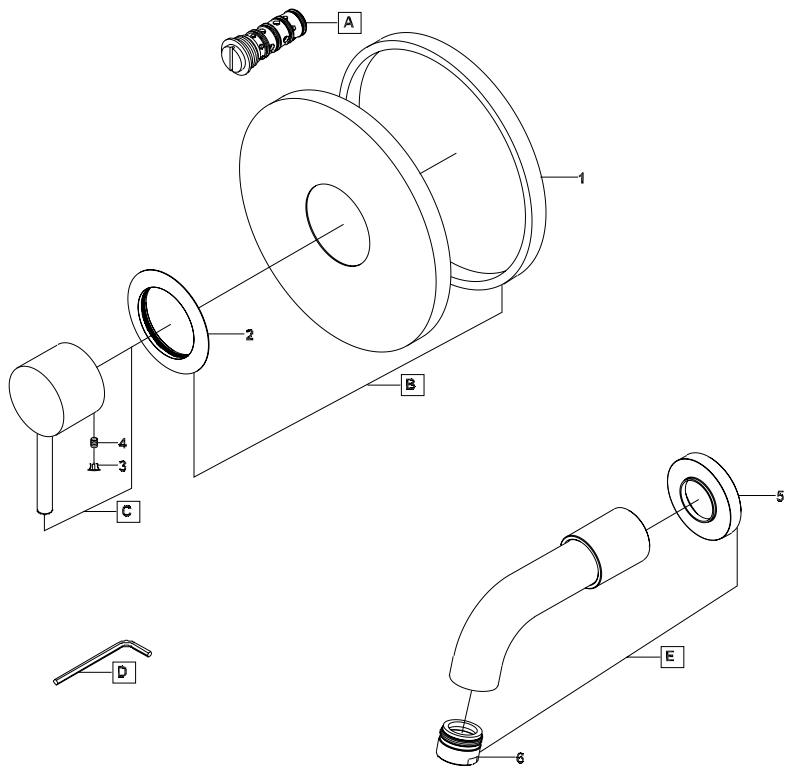
\*10 year limited warranty on commercial and multi-family projects. Effective for products sold after 1/1/2013.

## Parts Breakdown-4MT200TX

	ITEM#	DESCRIPTION
A	X-4400005	Pressure Balance Spool (4MT400TX)
B	X-4400043*	Face Plate (4MT400TX)
C	X-1400007*	Motegi Handle (4MT400TX)
D	X-4900024	3/32" Allen Wrench (4MT400TX)
E	X-6400024*	Motegi Tub Spout
1	X-4400044	Rubber Gasket
2	X-4400045*	Face Plate Flange
3	X-4900044*	Hole Cover
4	X-4900002	Allen Screw
5	X-4200071*	Spout Escutcheon
6	X-4400042*	Flow Streamer

\* Note: Please specify finish/color when ordering.

# Parts Breakdown Drawing-4MT200TX

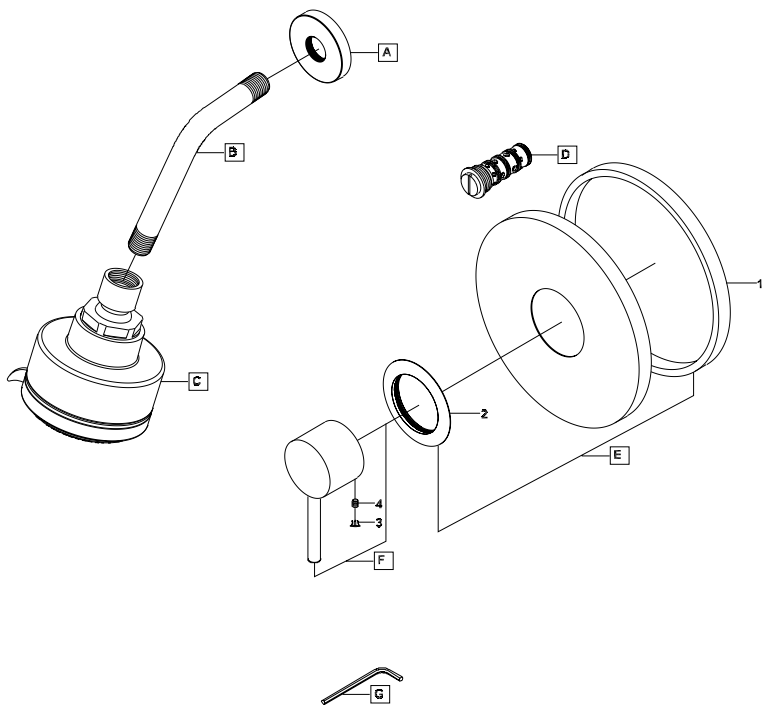


## Parts Breakdown-4MT300TX

	ITEM#	DESCRIPTION
A	X-6400011*	Shower Arm Flange
B	X-6400002*	Shower Arm
C	X-6400010*	Motegi 2.5 GPM Showerhead
D	X-6400056*	Motegi 1.5 GPM Showerhead
	X-4400005	Pressure Balance Spool (4MT400TX)
E	X-4400043*	Face Plate (4MT400TX)
F	X-1400007*	Motegi Handle (4MT400TX)
G	X-4900024	3/32" Allen Wrench (4MT400TX)
1	X-4400044	Rubber Gasket
2	X-4400045*	Face Plate Flange
3	X-4900044*	Hole Cover
4	X-4900002	Allen Screw

\* Note: Please specify finish/color when ordering.

# Parts Breakdown Drawing-4MT300TX





ENGINEERING EXCELLENCE

3325 S. Garfield Ave. | Commerce, CA 90040  
Telephone: (800) 338-9468 | (323) 888-8873 | Fax: (323) 888-9515  
Hours: M - F, 7:30am to 5:00pm PST  
[www.pioneerind.com](http://www.pioneerind.com)