

PIONEER

ENGINEERING EXCELLENCE

## Home Owner's Guide

Two Handle Kitchen Widespread Faucet:

- 2BR200\*
- 2BR210\*
- 2BR220
- 2BR230\*
- 2BR201\*
- 2BR211\*
- 2BR221
- 2BR231\*



This product meets the following standards:

- ASME A112.18.1
- ANSI A117.1
- ANSI / NSF 61, SECTION 9
- CUPC / IAPMO LISTED / \*ADA COMPLIANT
- CONTAINS NO MORE THAN 0.25% WEIGHTED AVERAGE LEAD CONTENT

PIONEER

Pioneer Industries, Inc. © 2012

REV-11 15, 12

## Thank You For Choosing Pioneer Products

Thank you for purchasing this quality product.

Pioneer products are rigorously tested to provide long service under normal conditions. Prior to installation, familiarize yourself with this products diagram.

Make sure that you have all of the illustrated parts for your Pioneer product before installation.

## Care Instructions

Pioneer products are designed and engineered under strict quality standards. The Pioneer Collection of PVD finishes feature a strong and durable surface that will keep your fixture looking exquisite for a lifetime.

To ensure the beautiful appearance of your Pioneer product, please adhere to the following simple care instructions:

- Use clean water to clean the surface of the faucet and dry with a 100% cotton cloth.
- You may also use any non-abrasive wax, along with a soft cotton cloth to brighten the surface and provide future protection of the finish.
- Do not use detergents, harsh cleaners, abrasive cleaners, cloths, and cleaning agents.

## PIONEER INDUSTRIES, INC. LIMITED LIFETIME WARRANTY \*

Pioneer Industries, Inc. warrants its product to the original consumer purchaser to be free from defects in material and workmanship for as long as the consumer purchaser owns it. Dated proof of purchase must accompany all warranty claims. PVD finishes carry a lifetime warranty in residential service. This warranty applies only to Pioneer faucets sold after 1/1/2006.

Pioneer Industries, Inc. will replace, free of charge, to the original consumer purchaser, any and all parts that prove defective under normal installation, use, and service. This warranty does not cover damage or defects due to normal wear and tear, misuse, abuse, accident, or improper installation. Replacement parts can be obtained from your local dealer or directly from Pioneer Industries. Pioneer Industries, Inc. recommends using a certified plumber for all faucet installation and repair.

This warranty is limited to replacement of defective parts only. Incidental and consequential damages, labor charges, repair, or replacement costs are expressly excluded. Some states do not allow the exclusion or limitation of incidental or consequential damages, so the above limitation may not apply to you. This warranty gives you specific legal rights, as you may have other rights of which vary from state to state. Installation or maintenance and cleaning must be in compliance with instructions furnished with every Pioneer product. If you find a problem with your product, please immediately contact your nearest Pioneer Industries, Inc. dealer or sales representative.

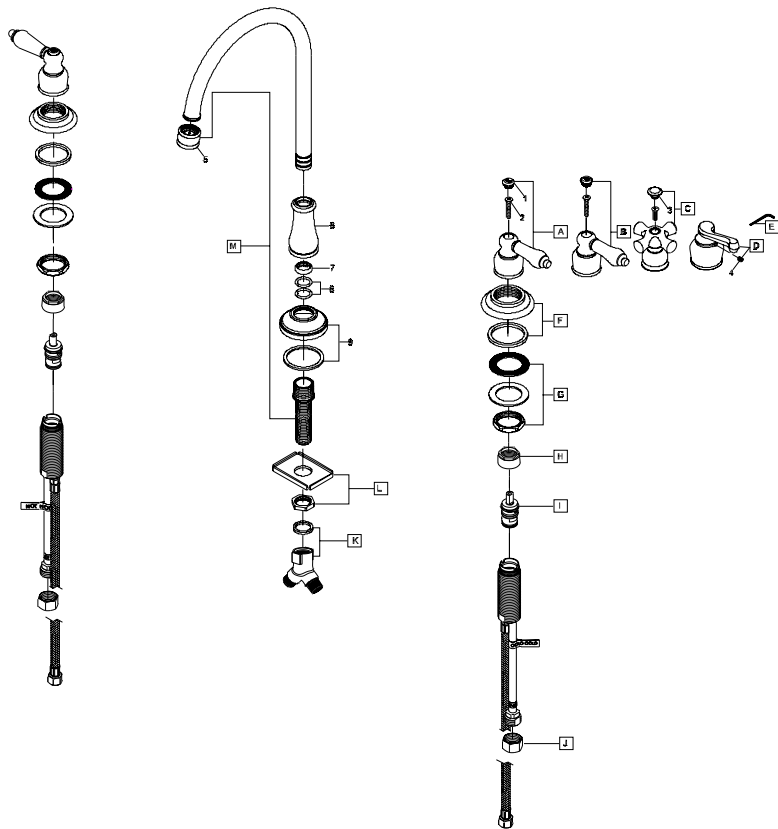
\*10 year limited warranty on commercial and multi-family projects. Effective for products sold after 1/1/2013.

## Parts Breakdown-2BR2X0

	ITEM#	DESCRIPTION
A	X-1900009C,H*	Brentwood Lever Handle-Cold,Hot(For 2BR200)
B	X-1900010C,H*	Brentwood Porcelain Lever Handle-Cold,Hot(For 2BR210)
C	X-1900011C,H*	Brentwood Porcelain Cross Handle-Cold,Hot(For 2BR220)
D	X-1900012C,H*	Brentwood Beaux Lever Handle-Cold,Hot(For 2BR230)
E	X-4900024	3/32" Allen Wrench(For 2BR230)
F	X-4900063*	Valve Escutcheon
G	X-5900001	Mounting Kit
H	X-4900022	Bonnet Nut
I	X-3900002C,H	Ceramic Cartridge-Cold,Hot
J	X-4900004	Supply Nut
K	X-4900020	'Y' Connector
L	X-5200003	Spout Mounting Kit
M	X-2200020*	Gooseneck Spout
1	X-4900042C,H*	Button-Cold,Hot(For 2BR200,2BR210)
2	X-4900061	Brentwood Handle Screw (For 2BR200,2BR210,2BR220)
3	X-4900062C,H*	Button-Cold,Hot(For 2BR220)
4	X-4900002	3/32" Allen Screw(For 2BR230)
5	X-4200079*	2.0 GPM Aerator
5	X-4200129*	1.5 GPM Aerator
6	X-4200077*	Spout Bonnet Nut
7	X-4900013	Spout Snap Ring
8	X-4900012	Spout O-Ring
9	X-4200078*	Spout Escutcheon

\* Note: Please specify finish/color when ordering.

# Parts Breakdown Drawing-2BR2X0

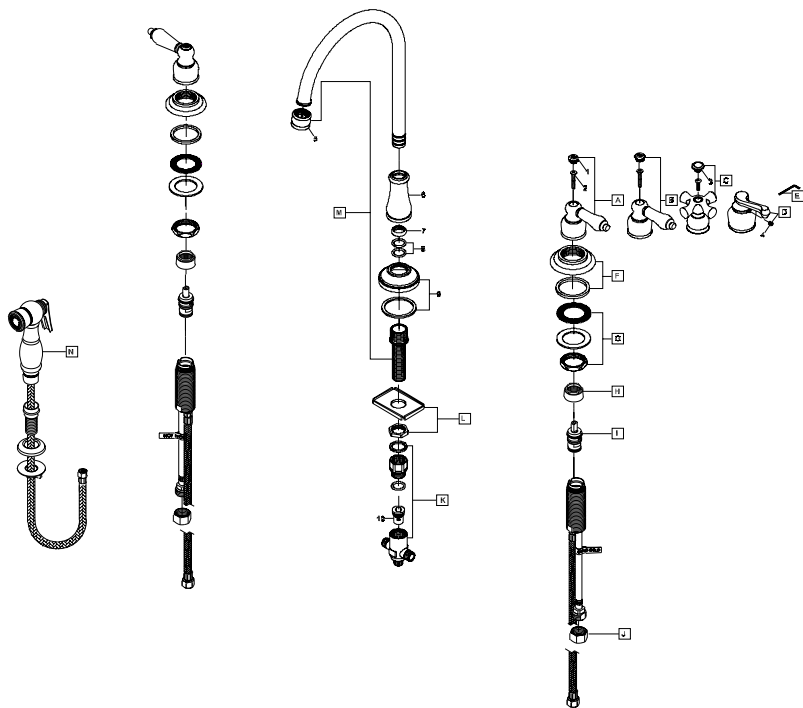


## Parts Breakdown-2BR2X1

	ITEM#	DESCRIPTION
A	X-1900009C,H*	Brentwood Lever Handle-Cold,Hot(For 2BR201)
B	X-1900010C,H*	Brentwood Porcelain Lever Handle-Cold,Hot(For 2BR211)
C	X-1900011C,H*	Brentwood Porcelain Cross Handle-Cold,Hot(For 2BR221)
D	X-1900012C,H*	Brentwood Beaux Lever Handle-Cold,Hot(For 2BR231)
E	X-4900024	3/32" Allen Wrench(For 2BR231)
F	X-4900063*	Valve Escutcheon
G	X-5900001	Mounting Kit
H	X-4900022	Bonnet Nut
I	X-3900002C,H	Ceramic Cartridge-Cold,Hot
J	X-4900004	Supply Nut
K	X-4200025	Cross Connector
L	X-5200003	Spout Mounting Kit
M	X-2200020*	Gooseneck Spout
N	X-4200059*	Side Spray Assembly
1	X-4900042C,H*	Button-Cold,Hot(For 2BR201,2BR211)
2	X-4900061	Brentwood Handle Screw (For 2BR201,2BR211,2BR221)
3	X-4900062C,H*	Button-Cold,Hot(For 2BR221)
4	X-4900002	3/32" Allen Screw(For 2BR231)
5	x-4200079*	2.0 GPM Aerator
5	X-4200129*	1.5 GPM Aerator
6	X-4200077*	Spout Bonnet Nut
7	X-4900013	Spout Snap Ring
8	X-4900012	Spout O-Ring
9	X-4200078*	Spout Escutcheon
10	X-4200016	Diverter Piston

\* Note: Please specify finish/color when ordering.

# Parts Breakdown Drawing-2BR2X1





ENGINEERING EXCELLENCE

3325 S. Garfield Ave. | Commerce, CA 90040  
Telephone: (800) 338-9468 | (323) 888-8873 | Fax: (323) 888-9515  
Hours: M - F, 7:30am to 5:00pm PST  
[www.pioneerind.com](http://www.pioneerind.com)