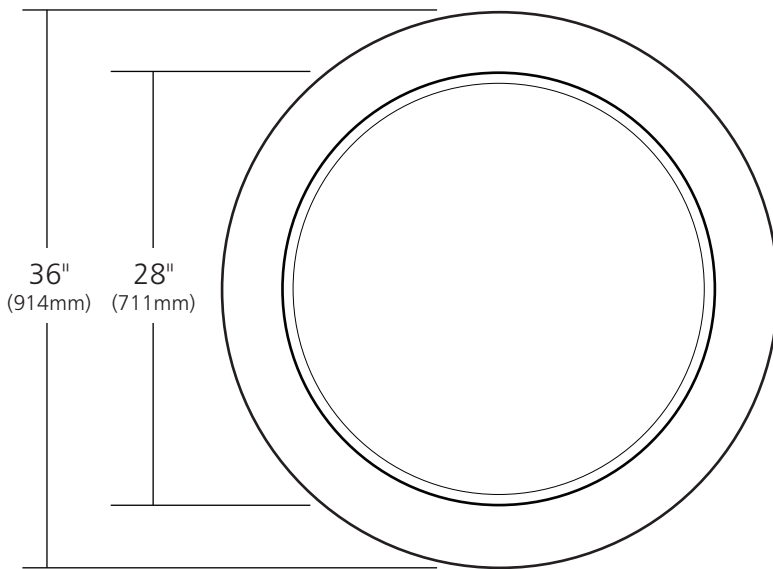


SPECIFICATIONS

TUSCANY ROUND MIRROR

CPM90



PRODUCT DETAILS

- 36" OD (914mm)
- Hand hammered recycled copper
- Tempered finish
- Beveled glass
- Hand forged nails

INSTALLATION

- French cleat included for easy installation

IMPORTANT

Due to the handcrafted nature of this product, it will vary in finish, texture, hammering, and other details. Dimensions may vary up to 1/2" (13mm).