

# Cape Collection

18 Inch Undermount Fireclay Kitchen Sink



# Nantucket

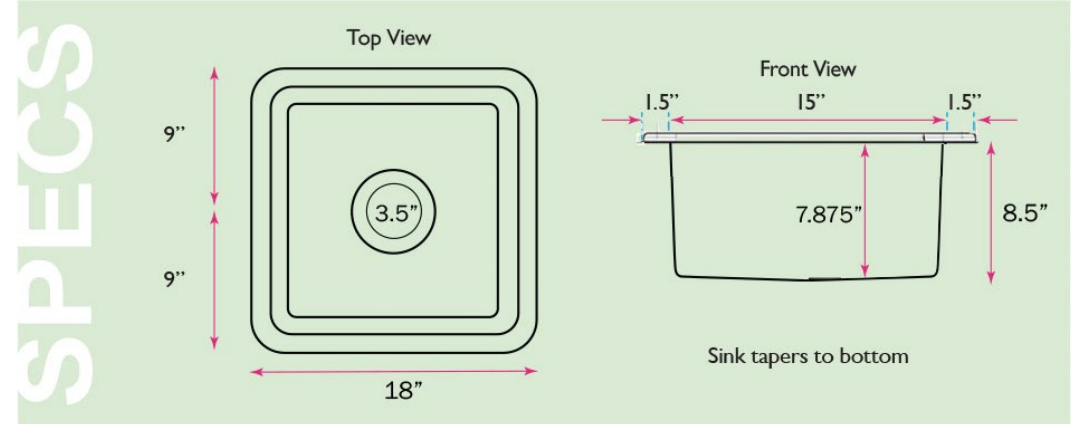
S I N K S

model:

## WELLFLEET-1818MB

www.NantucketSinksUSA.com

info@nantucketsinksusa.com



OVERALL DIMENSIONS	INTERIOR BOWL	BOWL DEPTH	COMPATIBLE GRID(S)	DRAIN DIMENSIONS
18" x 18" x 8.5"	15" x 15"	7.875"	Included	3.5" Opening

## FEATURES:

- Fireclay is hygienic, with a glazed surface that inhibits bacterial growth better than stainless steel
- Colander drain and grid included (Lux accessory pkg.)
- Finished glazed top edge, may be reveal mounted
- Limited lifetime manufacturer's warranty
- Mounting hardware not included
- Under mount Installation
- Nominal Dimensions\*- actual dimensions may vary by .25"
- Professional installation recommended
- Template not included

Project Name: \_\_\_\_\_

Architect / Contractor: \_\_\_\_\_

Job Notes: \_\_\_\_\_

\_\_\_\_\_

\_\_\_\_\_