
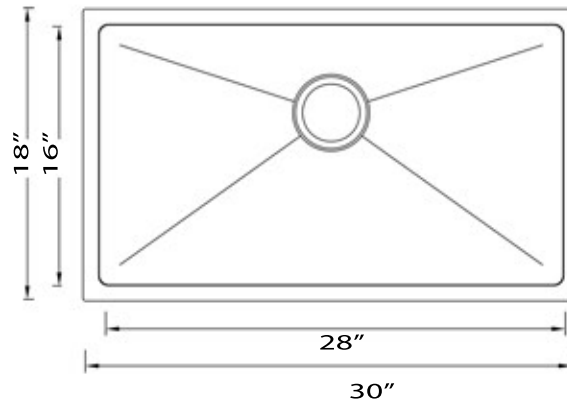


Pro Series Collection
 Premium Stainless Steel
 Zero Radius Pro Undermount Kitchen Sink

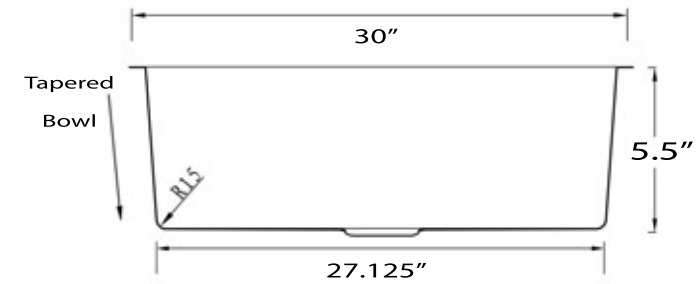


MODEL:
SS-PRO-ZR3018-5.5 ADA Compliant 

TOP VIEW



FRONT VIEW
 SHOWS TAPER SIDES



Exterior Dimensions	Interior Bowl Top Edge	Interior Bowl Bottom	Bowl Depth	Bottom Grid
30" X 18"	28" x 16"	27.125" x 15"	5.5"	BG-SR3018

FEATURES

- Premium 304, 16 gauge Stainless Steel Kitchen Sink
- Tapered interior bowl
- 5.5" Bowl Depth
- Brushed Satin Finish
- Limited Lifetime Manufacturers Warranty
- Insulated to Reduce Condensation
- Rubber Padding is Applied for Noise Reduction
- ADA Compliant