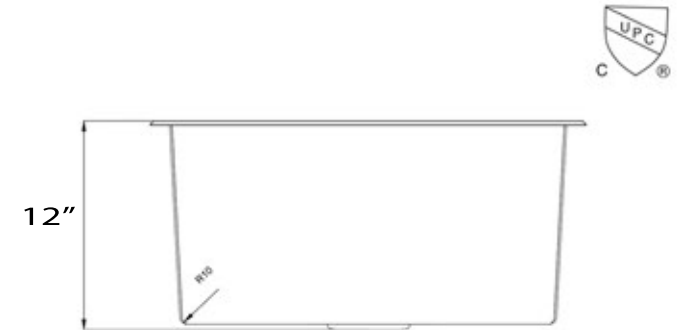
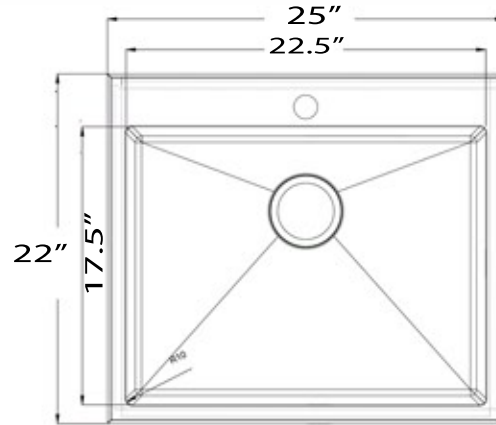


Pro Series Collection
 Premium Stainless Steel
 Small Radius Pro Topmount Kitchen Sink



MODEL:
SR2522-12-16



Overall Dimensions	Interior Dimensions	Bowl Depth	Tolerance +/-	Drain Hole Diameter
25" x 22" x 12"	22.5" x 17.5"	12"	1/8"	3.5"

FEATURES

- Premium 304, 16 gauge Stainless Steel Kitchen Sink
- Colander Drain included
- Brushed Satin Finish
- Limited Lifetime Manufacturers Warranty
- Insulated to Reduce Condensation
- Rubber Padding is applied for Noise Reduction



PROJECT/ NAME:

ARCHITECT/CONTRACTOR:

MODEL:

JOB NOTES: