

Brightwork Collection

Brass Square Undermount or Overmount
Bar / Prep Sink No Hammering

model:

SQRB-7SM

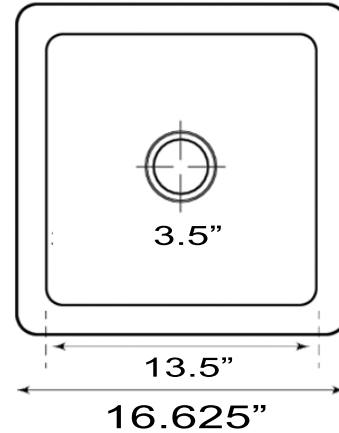


Nantucket
S I N K S

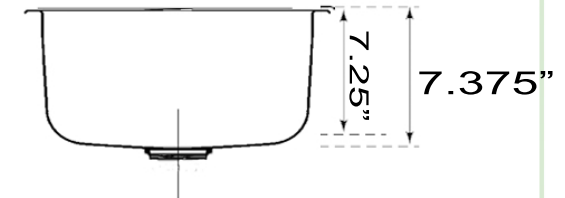
www.NantucketSinksUSA.com
info@nantucketsinksusa.com



Top View



Side View



| OVERALL DIMENSIONS | INTERIOR BOWL | BOWL DEPTH | DRAIN OPENING | OVERFLOW |
|--------------------|---------------|---------------------------|---------------|----------|
| 16.625" Square | 13.5" Square | 7.375"(ext.); 7.25"(int.) | 3.5" Opening | NO |

FEATURES:

- Premium solid brass construction bar sink
- Handmade - individual variations will exist
- No overflow
- 16 Gauge
- Unlacquered brass - Patina is possible right away if not waxed immediately
- Limited manufacturer's warranty
- Special care & maintenance required
- Nominal dimensions - actual may vary up to .25"
- Professional installation recommended
- Drain & optional cutting board sold separately

Project Name: _____

Architect / Contractor: _____

Job Notes: _____
