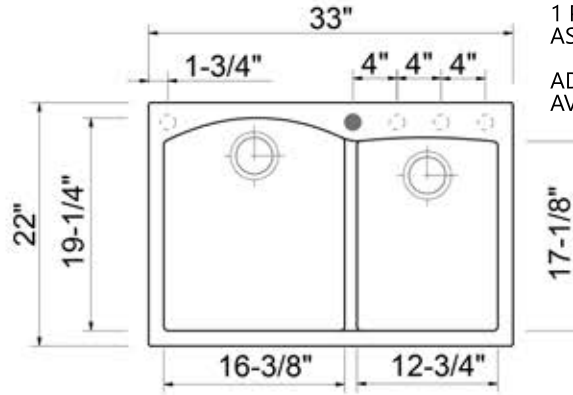


Granite Composite
 Premium Granite Composite
 Dual-Mount Kitchen Sink

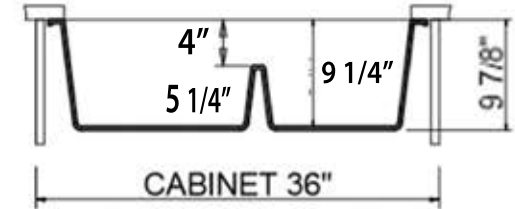


MODEL:
PR6040-TI



1 PRE-DRILLED CENTER HOLE
 AS SHOWN IN PRODUCT IMAGE

ADDITIONAL HOLE POCKETS
 AVAILABLE ON BACK SIDE OF SINK



Overall Dimensions	Interior Bowls	Bowl Depth	Height	Drain Holes
33" x 22"	16.375" x 19.25" 12.75" x 17.125"	9.25"	9.875" Overall 5.25" Divider	3.5"

FEATURES

- Premium Granite Composite Kitchen Sink
- 80% Stone/20% Resin
- Scratch Resistant/Heat resistant to 560F degrees
- Hygienic non-porous surface
- May be Undermounted or Topmounted
- Designed and made in Italy
- Matte finish with metallic flecks
- Limited Manufactures Warranty



PROJECT/ NAME:

ARCHITECT/CONTRACTOR:

MODEL:

JOB NOTES: