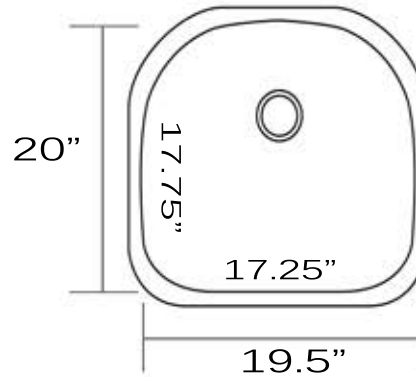


# Stainless Steel Premium Undermount Kitchen Sink



MODEL:  
**NS2019**



Overall Dimensions	Interior Bowl	Bowl Depth	Bottom Grid/s	Reverse Model
20" x 19.5"	17.75" x 17.25"	9"	NA	NA

## FEATURES

- Premium 304, 18 gauge Stainless Steel Kitchen Sink
- 9" Bowl Depth
- Brushed Satin Finish
- Limited Lifetime Manufactures Warranty
- Insulated to Reduce Condensation
- Rubber Padding is Applied for Noise Reduction



PROJECT/ NAME:

ARCHITECT/CONTRACTOR:

MODEL:

JOB NOTES: