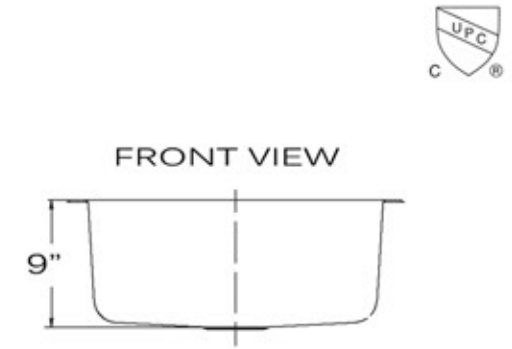
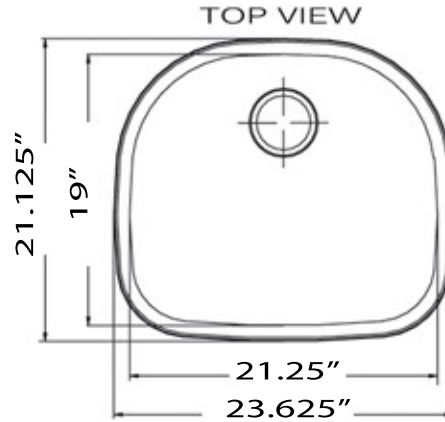


Sconset Collection

Premium Stainless Steel Kitchen Sink



MODEL:
NS03i-16



Overall Dimensions	Interior Bowl	Drain Size	Bottom Grid/s	Reverse Model
23.625" x 21.125"	21.25" x 19"	3.5"	BG2421	NA

FEATURES

- Premium 304, 16 gauge Stainless Steel Kitchen Sink
- Bottom Grid and colander drain included
- cUPC certified
- 9" Bowl Depth
- Brushed Satin Finish
- Limited Lifetime Manufacturers Warranty
- Insulated to Reduce Condensation
- Rubber Padding is Applied for Noise Reduction



PROJECT/ NAME:

ARCHITECT/CONTRACTOR:

MODEL:

JOB NOTES: