

# Victorian Collection

Genuine Fireclay Bath Sink



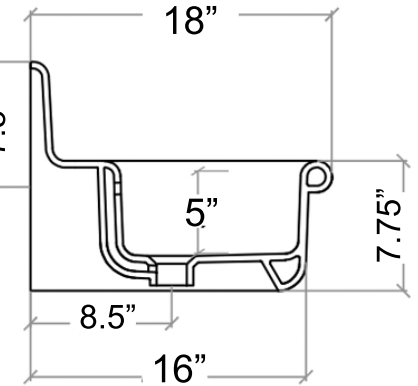
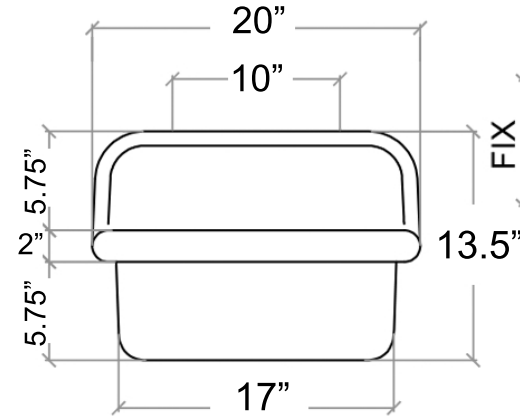
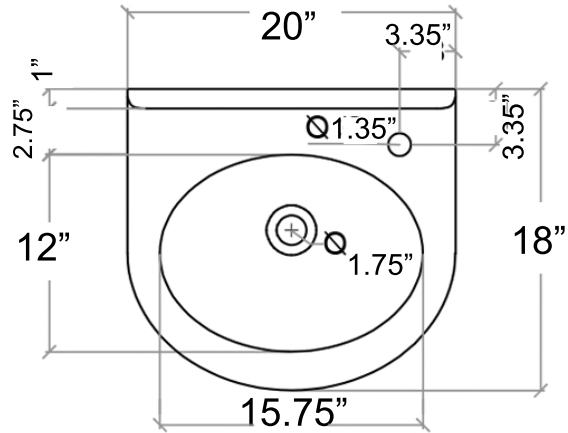
# Nantucket

S I N K S

model:

NS-VC20RD1-BLUW

www.NantucketSinksUSA.com  
info@nantucketsinksusa.com



OVERALL DIMENSIONS	INTERIOR BOWL	MOUNTING HARDWARE	INTERIOR DEPTH	DRAIN OPENING
20" x 18" x 13.5"	15.75" x 12"	10" SPACING	5"	1.75"

## Features

- Made in Italy
- Genuine Fireclay
- Nominal Dimensions Only - Actual may vary by 1/4"
- Wall-mount installation
- Porcelain enamel glaze
- Drain not included with sink (1.75" standard)
- Has Overflow
- Do Not Clean With Abrasive Cleansers Or Pads
- Limited Warranty for Manufacturer's Defects
- Single hole faucet installation - faucet not included

Project Name: \_\_\_\_\_

Architect / Contractor: \_\_\_\_\_

Job Notes: \_\_\_\_\_

\_\_\_\_\_

\_\_\_\_\_