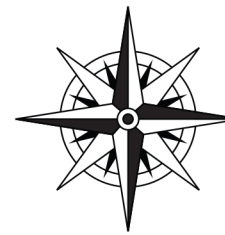


# Cape Collection

Triple Bowl Fireclay Apron Farmsink

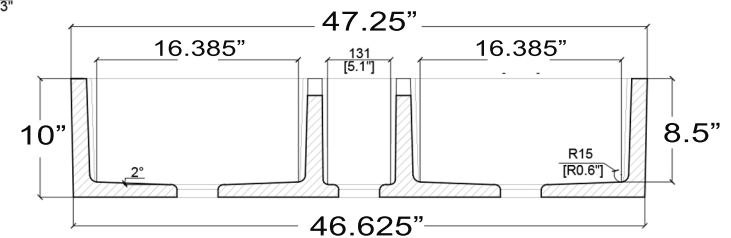
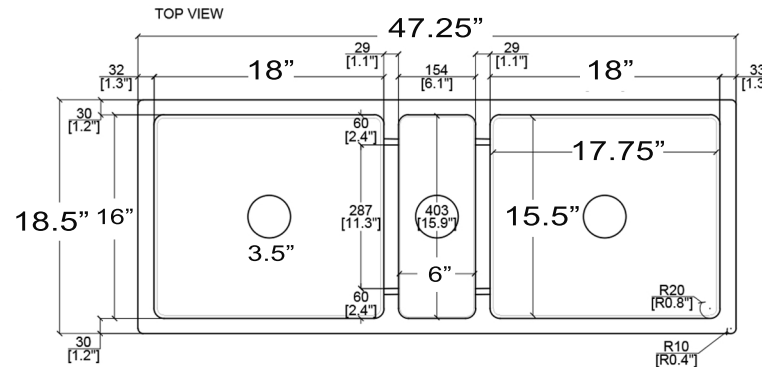
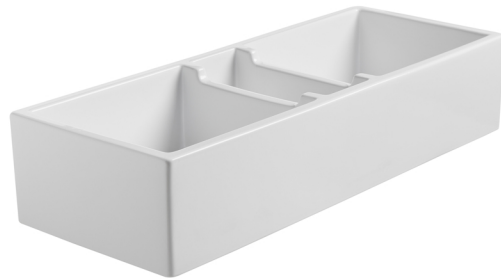
model: FCFS4718-W



# Nantucket

S I N K S

www.NantucketSinksUSA.com  
info@nantucketsinksusa.com



OVERALL DIMENSIONS	INTERIOR BOWL SIDE BOWLS	INTERIOR BOWL CENTER BOWL	BOWL DEPTH	DRAIN OPENINGS
47.25" x 18.5" x 10"	17.75" x 15.5"	6" x 15.5"	8.5"	3.5"

## FEATURES:

- Premium Fireclay Sink
- Triple Bowl Design made in Italy
- Drains not included with sink
- Material is sound absorbing and stain-resistant
- Non-porous surface is scratch resistant
- Nominal dimensions - may vary by .25"
- Due to sink thickness - may require an extended flange
- Requires Apron style base cabinet (recommended 50" min.)

Project Name: \_\_\_\_\_

Architect / Contractor: \_\_\_\_\_

Job Notes: \_\_\_\_\_

\_\_\_\_\_

\_\_\_\_\_