

# Cape Collection

9.25 Inch x 18.25 Inch Single Bowl Dualmount  
Fireclay Bar/Prep Sink with Basket Strainer Drain

model:  
**CAPE189**

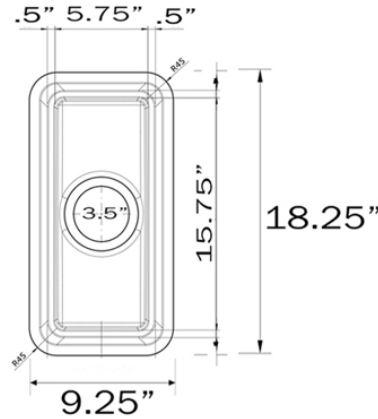


**Nantucket**  
S I N K S

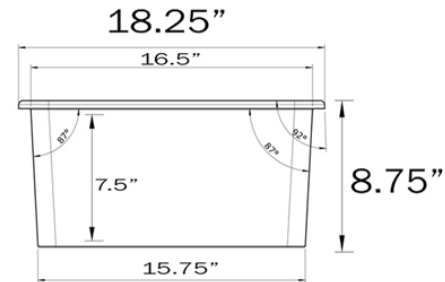
www.NantucketSinksUSA.com  
info@nantucketsinksusa.com



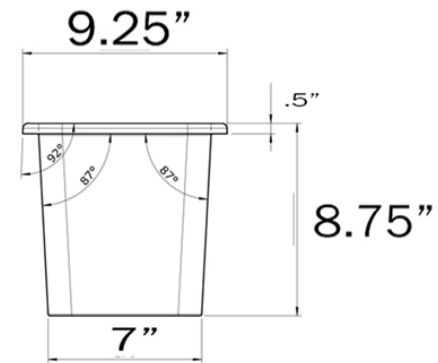
Top View



Side View



Front View



OVERALL DIMENSIONS	INTERIOR BOWL	BOWL DEPTH	DRAIN DIMENSIONS	BOTTOM GRID
9.25" x 18.25" x 8.75"	5.75" x 15.75"	7.5"	3.5" Standard Opening	N/A

## FEATURES:

- Basket strainer drain included with sink
- Scratch/Heat Resistant
- Hygienic Non-Porous Surface
- Material is sound absorbing and stain-resistant
- Dualmount can be topmounted or undermounted
- Limited Manufacture's Warranty
- Professional Installation Recommended - support cradle required
- Made in Europe

Project Name: \_\_\_\_\_

Architect / Contractor: \_\_\_\_\_

Job Notes: \_\_\_\_\_

\_\_\_\_\_

\_\_\_\_\_