

CUTTING BOARD MWCBFLW-651GPBB



FEATURES

- 1/4" thick 304 Stainless Steel Handle
- 1/4 Thick Solid Bamboo

Construction

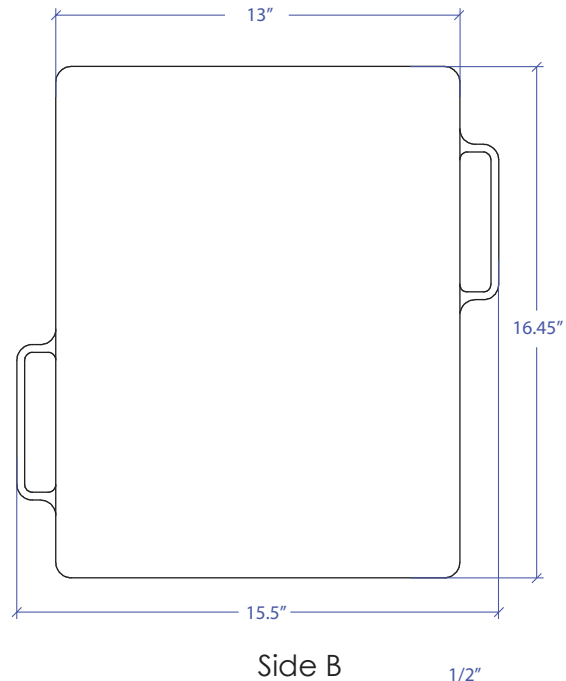
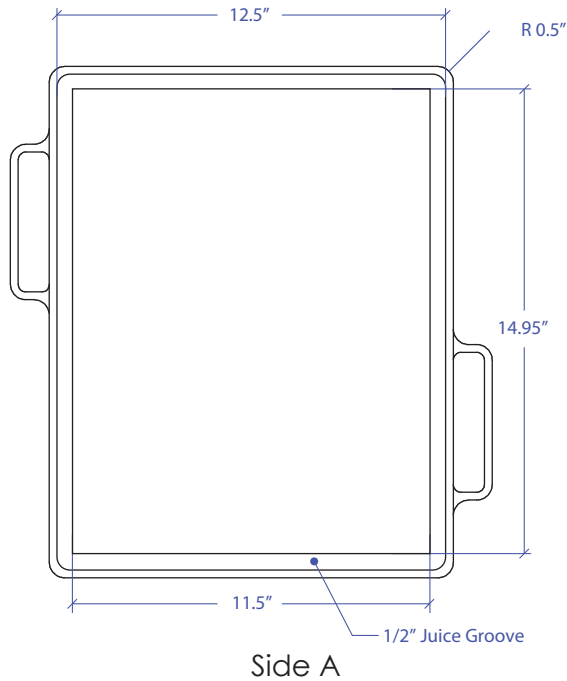
- 2 Sided Function
- 1/2" Juice Groove

TECHNICAL INFORMATION

- Dimension: 16.45" L x 15.5" W x 1-1/4" Thick
- Handle Thickness: 0.25"

FINISHES

- Graphite PVD Satin Brushed Stainless Steel
- Natural Bamboo



PROJECT INFORMATION			
Project			
Date	/ /	QTY	
Specifier			
Contact			
Note			